

**330 Series UL Listed, Level 1, B/R Window
Installation Manual
January 01, 2024**



Model 330-5 (3'x5')
Model 330-8 (3'x8')
Model 330-10 (3'x10')
Model 330-15 (3'x15')

CAUTION

THIS PRODUCT SHOULD ONLY BE INSTALLED BY PROFESSIONALS
EXPERIENCED AND QUALIFIED IN THE INSTALLATION OF B/R WINDOWS

Manufacture Date:

UL/Serial Number:

➤ **TABLE OF CONTENTS**

➤ **DISCLAIMER**

➤ **WARNINGS**

➤ **SECTIONS**

1. INTRODUCTION

1.1 Product Overview

1.2 Specifications

1.3 Part Identification

Figure 1-1 Part Names

1.4 Dimensional Specifications

Dwg 20039 Model 330-5, UL Level 1 B/R Window, 3' x 5'

Dwg 20040 Model 330-8, UL Level 1 B/R Window, 3' x 8'

Dwg 20041 Model 330-10, UL Level 1 B/R Window, 3' x 10'

Dwg 20042 Model 330-15, UL Level 1 B/R Window, 3' x 15'

2. INSTALLATION

2.1 Safety and Pre-Installation Procedures

2.2 Apparel

2.3 Tools and Supplies

2.4 Unpacking and Inspection

2.4.1 Model 330-5, UL Level 1 B/R Window, 3' x 5'

2.4.2 Model 330-8, UL Level 1 B/R Window, 3' x 8'

2.4.3 Model 330-10, UL Level 1 B/R Window, 3' x 10'

2.4.4 Model 330-15, UL Level 1 B/R Window, 3' x 15'

2.5 Site Requirements

2.6 Installation Instructions

2.6.1 Frame Installation

2.6.2 Glass Installation

Figure 2-1 Installed View, Exterior Elevation

Figure 2-2 Installed View, Interior Elevation

Dwg 20174 Installed View, Section Details

3. MAINTENANCE

3.1 Preventative/Periodic Maintenance

DISCLAIMER

The material in this manual is for information purposes only. The contents and the product it describes are subject to change without notice. The manufacturer makes no representations or warranties with respect to this manual. In no event shall the manufacturer be liable for any damages, direct or incidental arising out of or related to the use of this manual. This product was designed for certain applications only. It may not be modified and/or used for any application other than that for which it was designed. Design specifications of the product described herein is subject to change without notice. The manufacturer reserves the right to make such changes without incurring any obligation to make them in units previously sold. Differences between the unit you received and the views contained herein are the result of design improvement and/or the addition of options as specified.

WARNINGS

CAUTION: If not properly installed and maintained, the use of this equipment presents the possibility of personal injury or property damage. Before use all persons who will install and maintain this product should read this manual thoroughly. For safe, dependable performance, follow all instructions and recommendations contained herein.

CAUTION: This product incorporates laminated B/R Glass. As with all glass products there are sharp edges.

1. INTRODUCTION

1.1 Product Overview

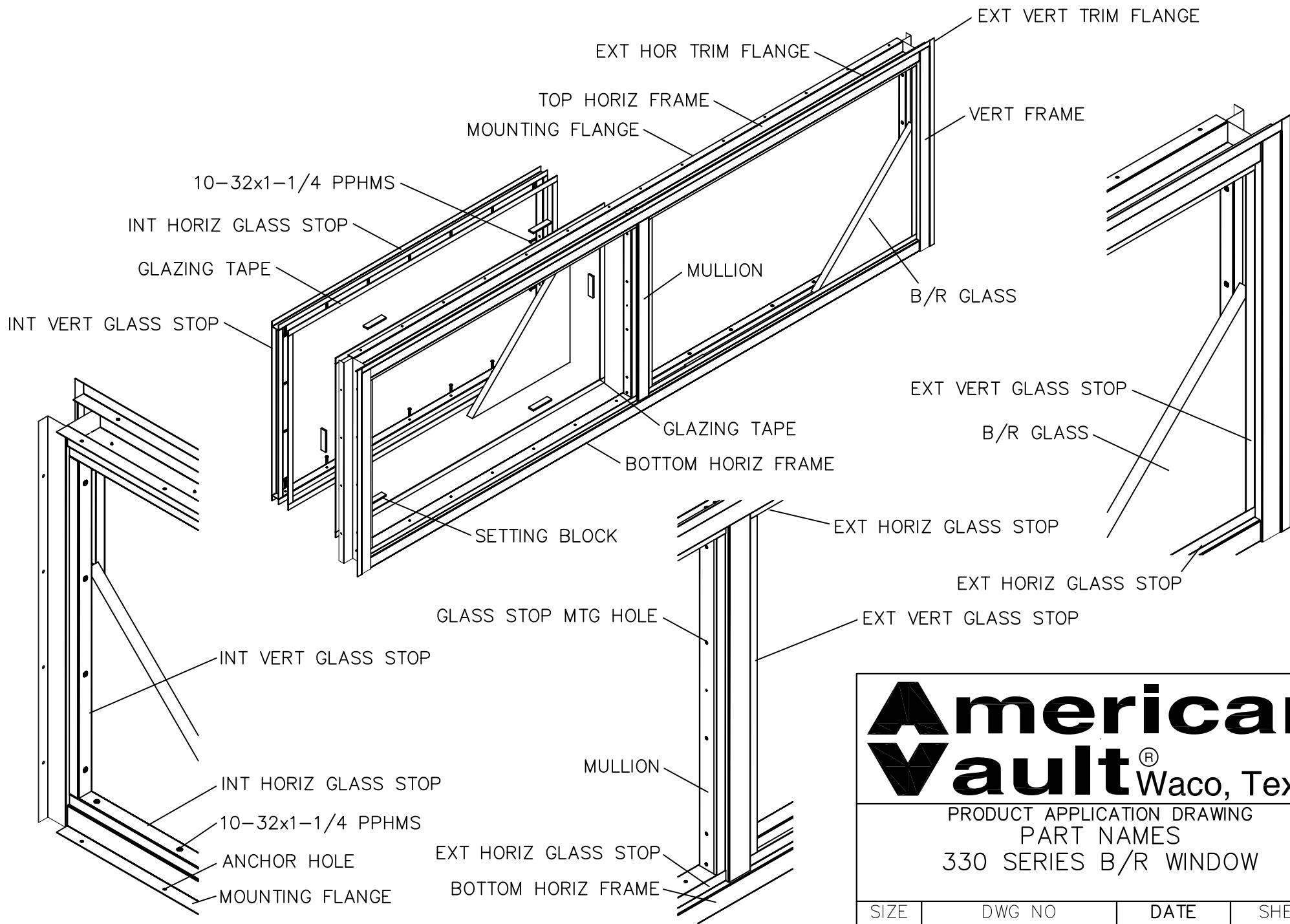
- This UL Listed Level 1 B/R Window Assembly is tested, inspected and manufactured according to the Underwriters Laboratory standard UL 752. This standard covers materials, devices, and fixtures used to form bullet-resisting barriers which protect against robbery, holdup, or armed attack. The term "bullet-resisting" signifies that protection is provided against complete penetration, passage of fragments and projectiles, or fragmentation of the protective material to the degree that injury would be caused to a person standing directly behind the bullet-resisting barrier.
- The welded stainless steel window frame assembly is designed as a bolt-in type system. For best results it should be installed after the exterior finish is applied and prior to the interior finish. There is an exterior trim flange on three sides with fixed exterior glass stops with removable interior glass stops.
- All B/R Window Assemblies are available "Glazed" from the factory. The Models 330-5 & 330-8 are normally shipped "Glazed" from the factory. However, due to the "Glazed Weight" of each Model 330-10 & 330-15, these units are normally shipped "Unglazed".

1.2 Specifications

Model	330-5	330-8	330-10	330-15
Overall Frame Size	64-1/2"Wx38-3/4"H	100-1/2"Wx38-3/4"H	125-3/8"Wx38-3/4"H	186-1/4"Wx 38-3/4"H
Weight (Shipping)	300 lbs.	500 lbs.	650 lbs.	950 lbs.
Weight (Frame)	66 lbs.	92 lbs.	120 lbs.	178 lbs.
Number of Lites	1	1	2	3
Weight (Glass)	211 lbs.	343 lbs.	211 lbs. ea.	211 lbs. ea.

1.3 Part Identification (Refer to Figure 1-1)

1.4 Dimensional Specifications (Refer to Drawings 20039, 20040, 20041, and 20042)

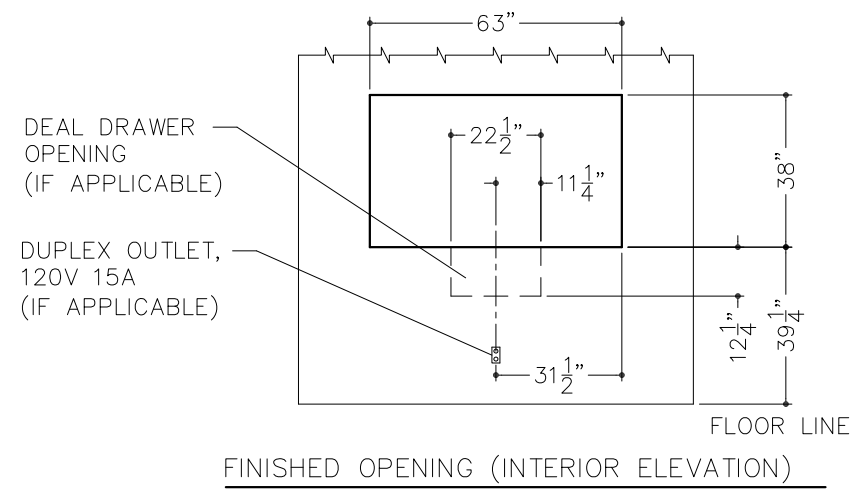
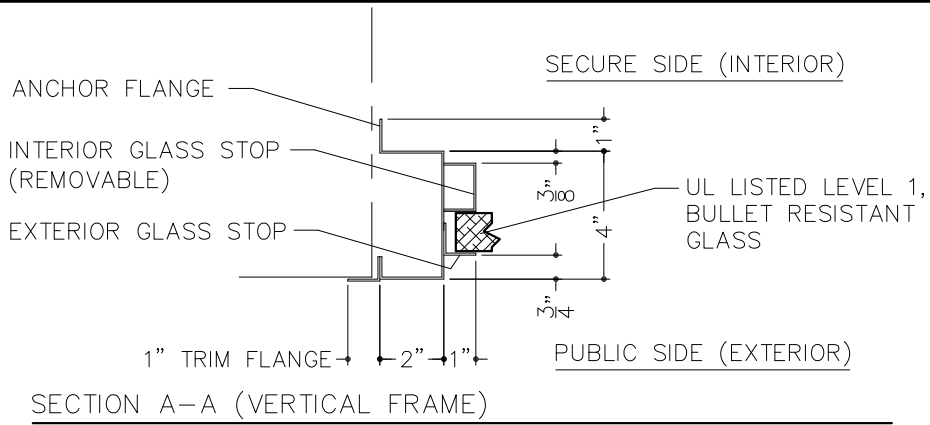


DO NOT SCALE

American
Vault[®] Waco, Texas

PRODUCT APPLICATION DRAWING
 PART NAMES
 330 SERIES B/R WINDOW

SIZE	DWG NO	DATE	SHEET
A	FIGURE 1-1	12/18/2023	1 OF 1



- NOTES:
1. UL LISTED LEVEL 1, CLEAR, 1-3/16" LAMINATED BULLET RESISTANT GLASS.
 2. WELDED, BRUSHED STAINLESS STEEL FRAME WITH EXTERIOR TRIM FLANGE ON TOP & SIDES, ANCHOR FLANGE ON INTERIOR.
 3. WINDOW SHOULD BE INSTALLED UNDER A PROTECTIVE CANOPY.
 4. APPLY SEALANT TO EXTERIOR TRIM FLANGE.
 5. REFER TO DRAWING #20174 FOR ADDITIONAL INSTALLATION DETAILS.

APPROXIMATE WEIGHT: 300 LBS.

SECURITY

UL

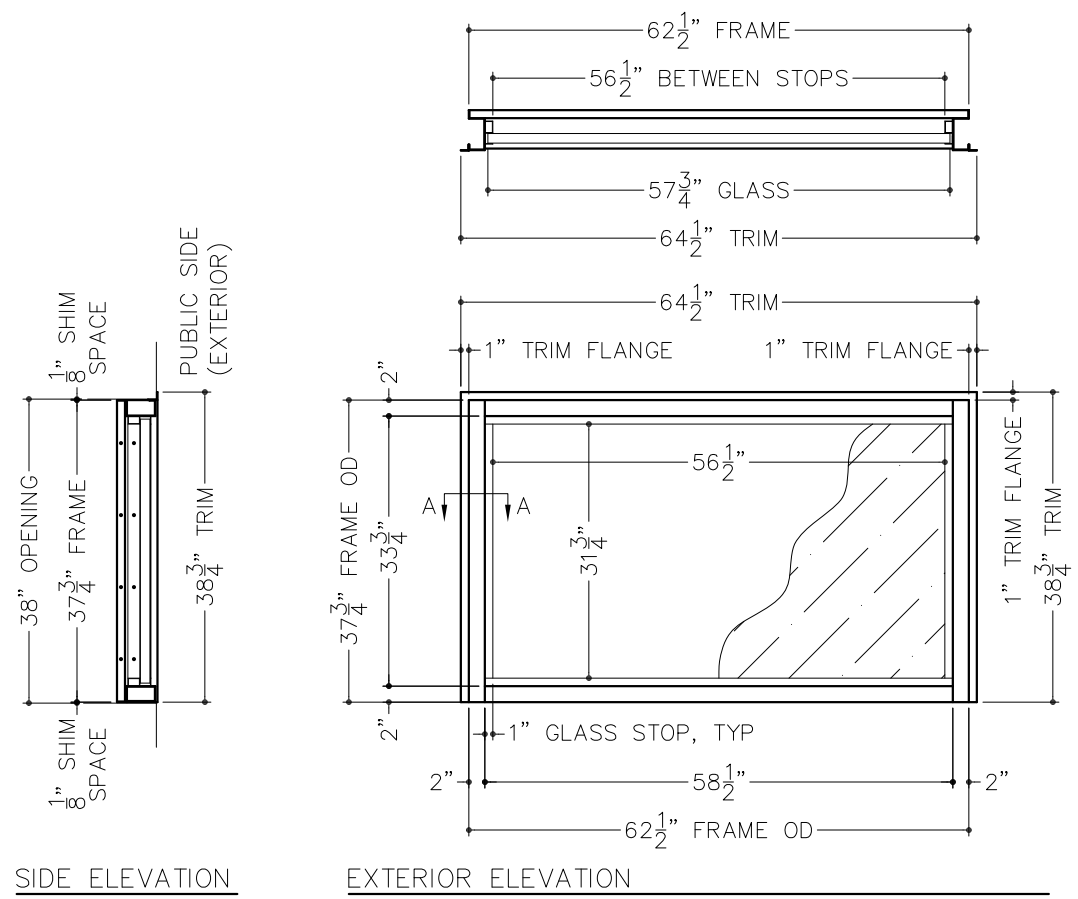
LISTED

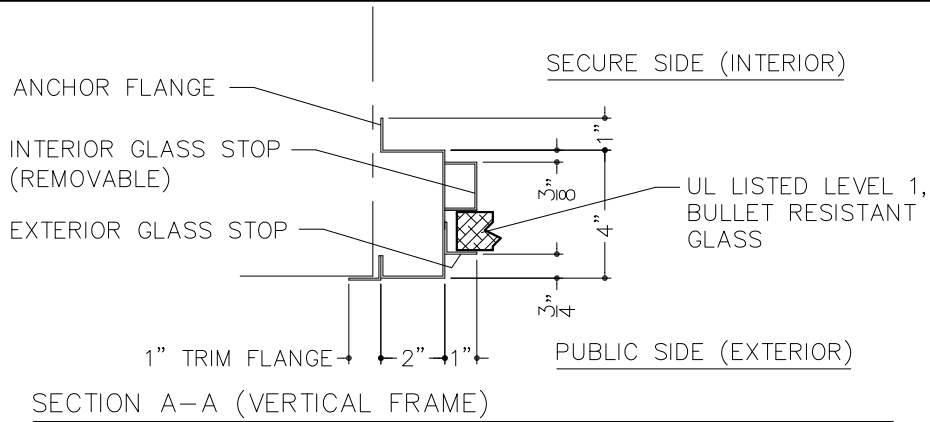
DO NOT SCALE

American Vault® Waco Texas

PRODUCT APPLICATION DRAWING
VISION WINDOW, 3'H x 5'W
LEVEL 1 BULLET RESISTANT

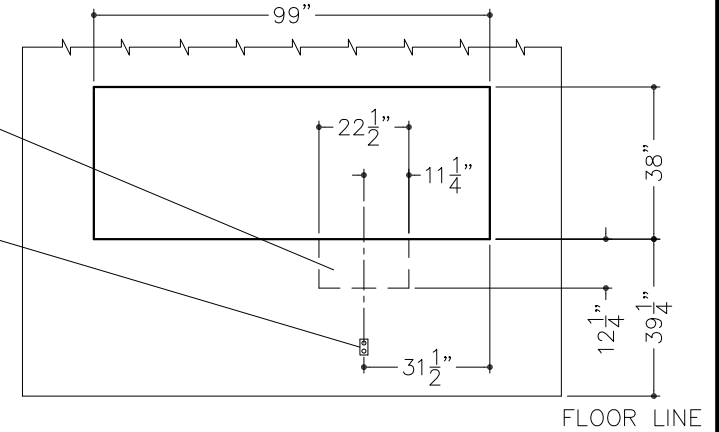
SIZE	DWG NO	DATE	SHEET
A	20039	12.01.2023	1 OF 1





DEAL DRAWER
OPENING
(IF APPLICABLE)

DUPLEX OUTLET,
120V 15A
(IF APPLICABLE)



FINISHED OPENING (INTERIOR ELEVATION)

NOTES:

1. UL LISTED LEVEL 1, CLEAR, 1-3/16" LAMINATED BULLET RESISTANT GLASS.
2. WELDED, BRUSHED STAINLESS STEEL FRAME WITH EXTERIOR TRIM FLANGE ON TOP & SIDES, ANCHOR FLANGE ON INTERIOR.
3. WINDOW SHOULD BE INSTALLED UNDER A PROTECTIVE CANOPY.
4. APPLY SEALANT TO EXTERIOR TRIM FLANGE.
5. REFER TO DRAWING #20174 FOR ADDITIONAL INSTALLATION DETAILS.

APPROXIMATE WEIGHT: 500 LBS.



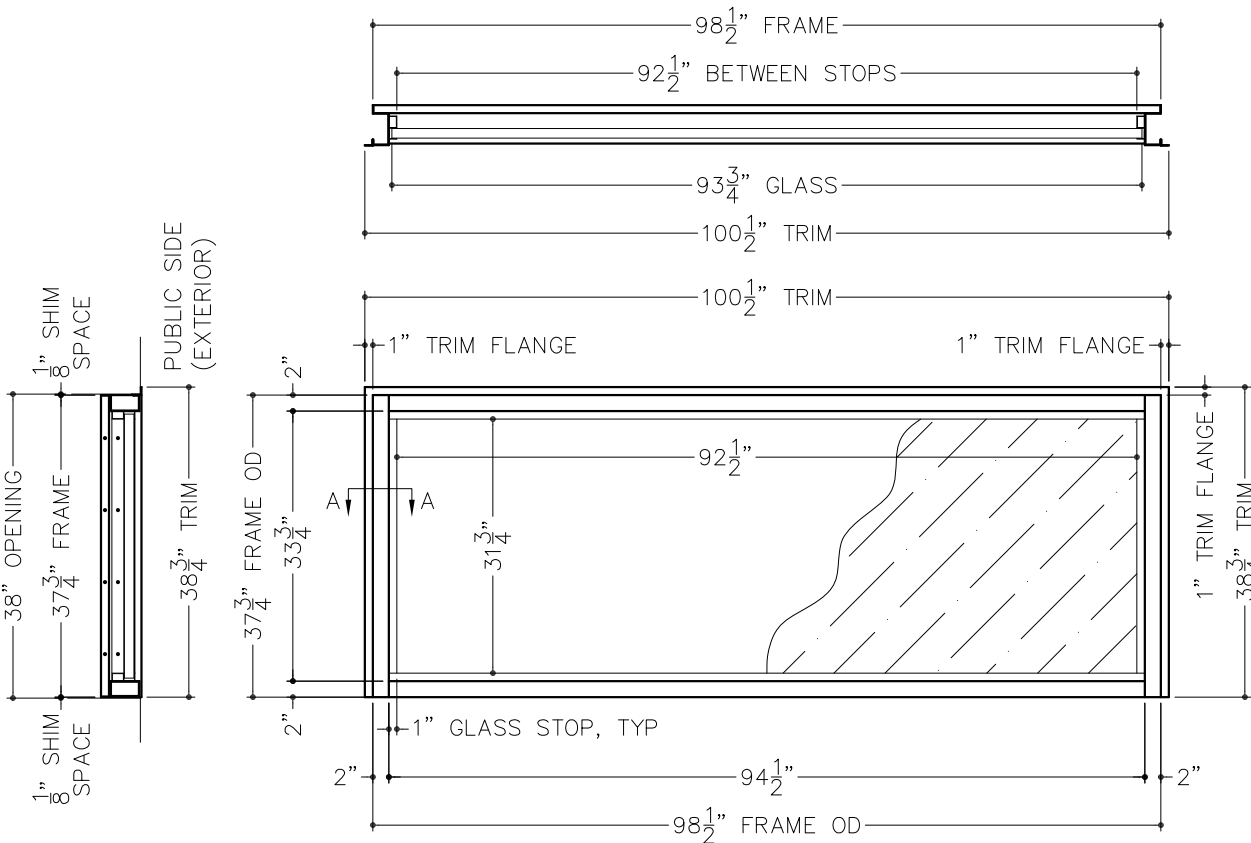
DO NOT SCALE

American Vault[®] Waco Texas

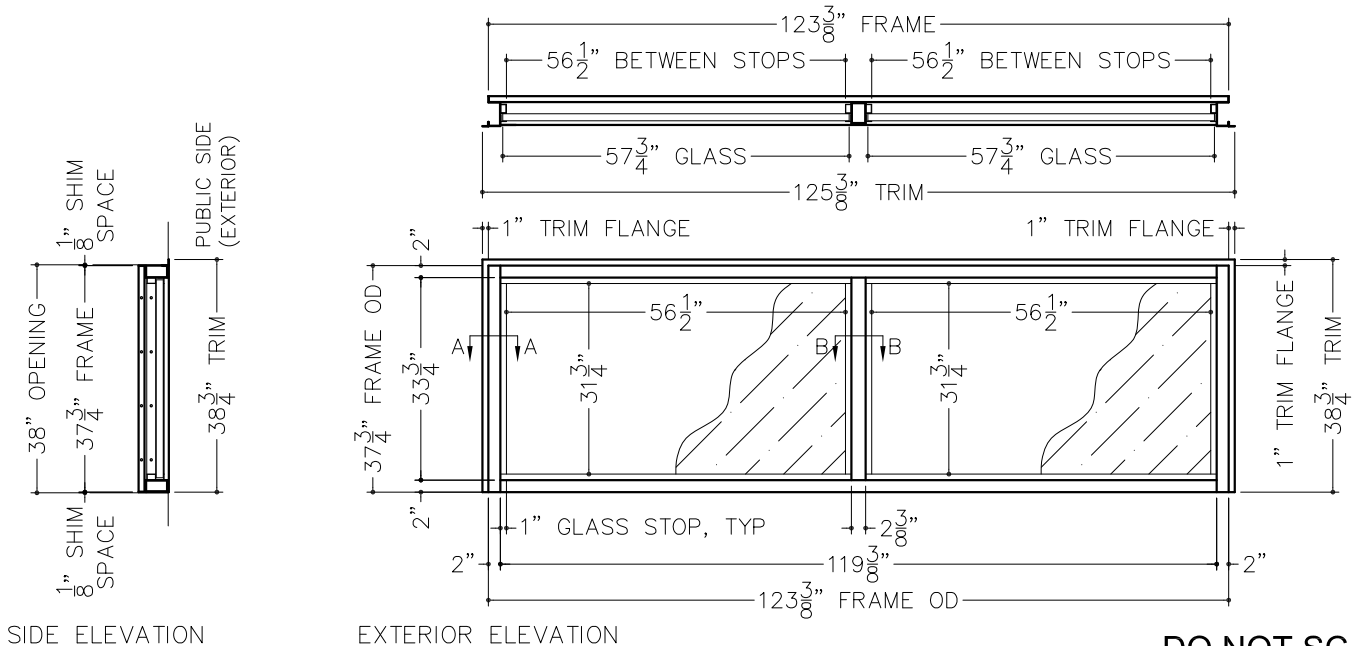
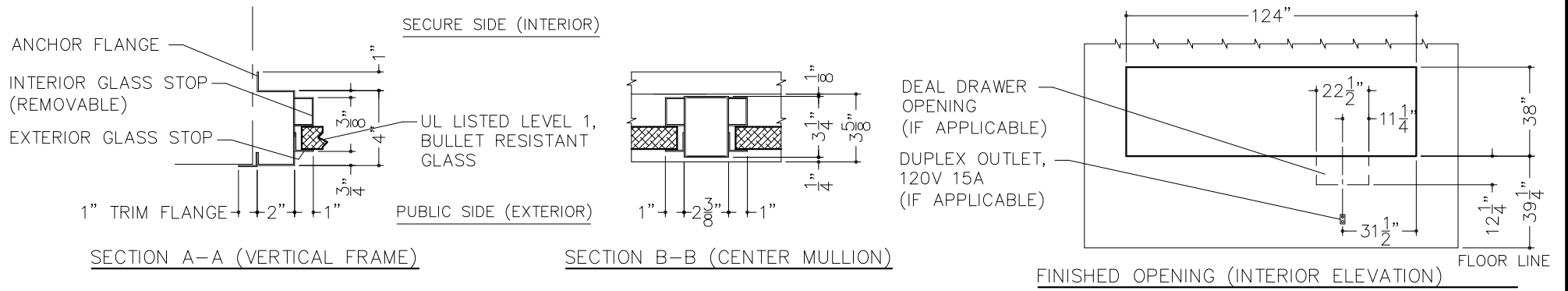
PRODUCT APPLICATION DRAWING
VISION WINDOW, 3'H x 8'W
LEVEL 1 BULLET RESISTANT

SIDE ELEVATION

EXTERIOR ELEVATION



SIZE	DWG NO	DATE	SHEET
A	20040	12.01.2023	1 OF 1



DO NOT SCALE

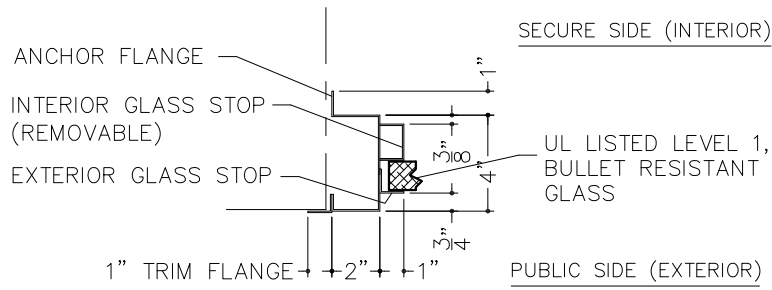
- NOTES:
1. UL LISTED LEVEL 1, CLEAR, 1-3/16" LAMINATED BULLET RESISTANT GLASS.
 2. WELDED, BRUSHED STAINLESS STEEL FRAME WITH EXTERIOR TRIM FLANGE ON TOP & SIDES, ANCHOR FLANGE ON INTERIOR.
 3. WINDOW SHOULD BE INSTALLED UNDER A PROTECTIVE CANOPY.
 4. APPLY SEALANT TO EXTERIOR TRIM FLANGE.
 5. REFER TO DRAWING #20174 FOR ADDITIONAL INSTALLATION DETAILS.

APPROXIMATE WEIGHT: 650 LBS.

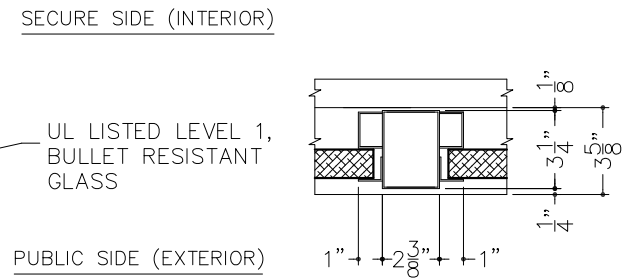
American Vault® Waco Texas

PRODUCT APPLICATION DRAWING
VISION WINDOW, 3'H x 10'W
LEVEL 1 BULLET RESISTANT

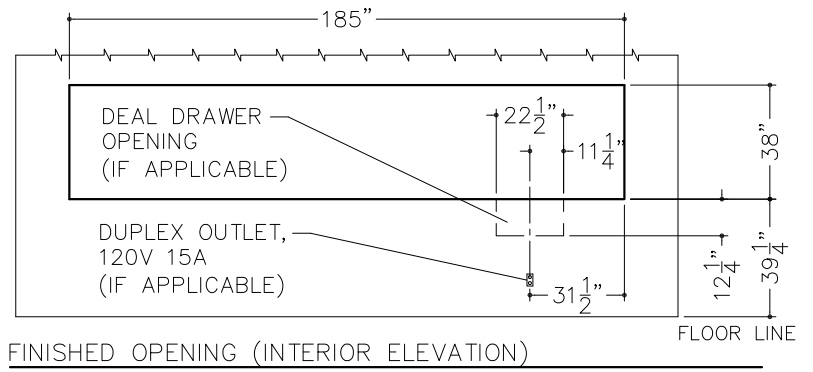
SIZE	DWG NO	DATE	SHEET
A	20041	12.01.2023	1 OF 1



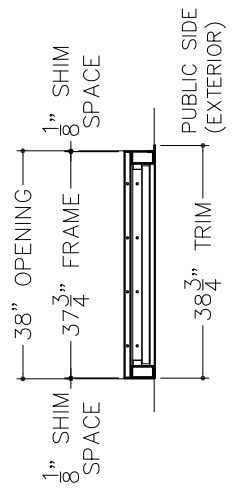
SECTION A-A (VERTICAL FRAME)



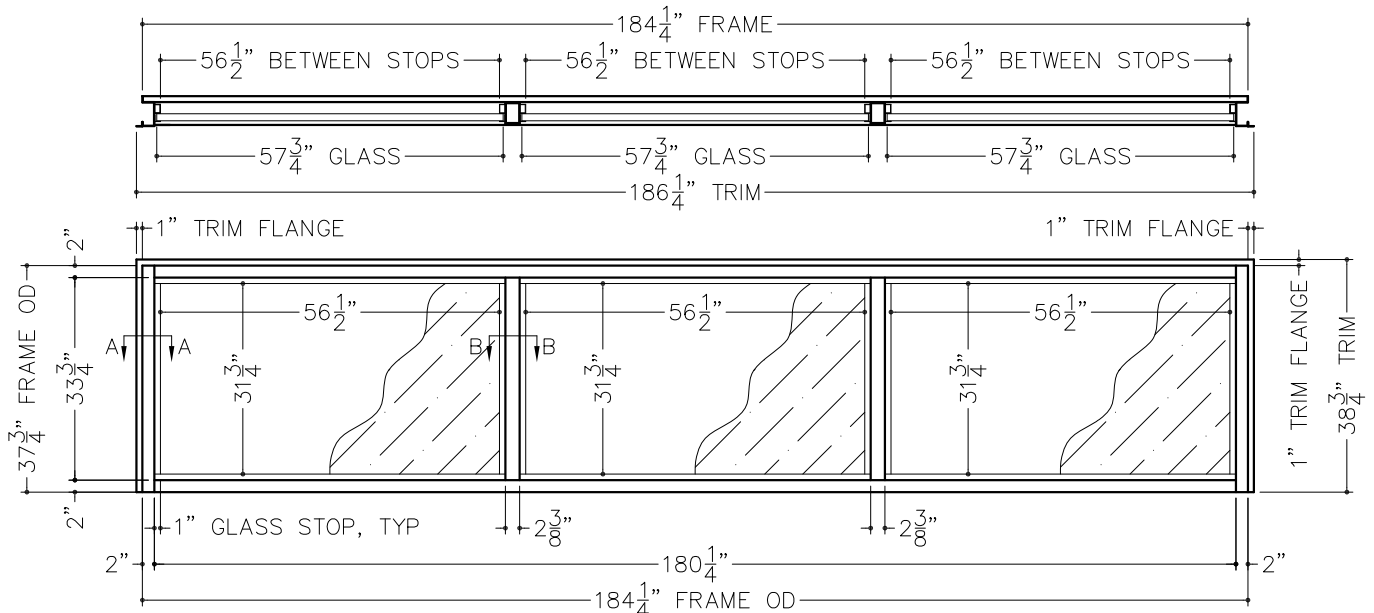
SECTION B-B (CENTER MULLION)



FINISHED OPENING (INTERIOR ELEVATION)



SIDE ELEVATION



EXTERIOR ELEVATION

DO NOT SCALE



- NOTES:
1. UL LISTED LEVEL 1, CLEAR, 1-3/16" LAMINATED BULLET RESISTANT GLASS.
 2. WELDED, BRUSHED STAINLESS STEEL FRAME WITH EXTERIOR TRIM FLANGE ON TOP & SIDES, ANCHOR FLANGE ON INTERIOR.
 3. WINDOW SHOULD BE INSTALLED UNDER A PROTECTIVE CANOPY.
 4. APPLY SEALANT TO EXTERIOR TRIM FLANGE.
 5. REFER TO DRAWING #20174 FOR ADDITIONAL INSTALLATION DETAILS.

APPROXIMATE WEIGHT: 950 LBS.

American Vault® Waco Texas

PRODUCT APPLICATION DRAWING
VISION WINDOW, 3'H x 15'W
LEVEL 1 BULLET RESISTANT

SIZE	DWG NO	DATE	SHEET
A	20042	12.01.2023	1 OF 1

2. INSTALLATION

2.1 Safety and Pre-Installation Procedures

- Only professionals experienced and qualified in the installation should install this product. Misuse, lack of supervision and inspection can contribute to serious accidents or death.
- Keep the work area clear of all trash and clutter.
- Because of the extreme and concentrated weight of components, installations can be dangerous. Special methods for installation have been devised. Be sure the appropriate procedures are followed.
- Know location of the nearest medical facility and “911” availability.
- Verify the condition of safety equipment and tools.
- When arriving at job-site introduce yourself to the General Contractor and/or job superintendent, explain:
 - What equipment you will be installing?
 - What your schedule will be?
 - What will be required of the contractor and/or electrician?
- Check best route into building. Inform G.C. of weights involved. Inform G.C. of existing floor cracks or damage. If a basement or floor exists below the route of travel and/or under the installation area, the G.C. and all trades must be notified.
- Caution other persons in the building to avoid the installation area. It is recommended to “cordon-off” the area.
- It is the responsibility of the installer to anticipate and correct all hazardous conditions, including careless or thoughtless act of assistants or technicians who misguidedly try to “help”.

2.2 Apparel

- Personal safety equipment required (but not limited to):
Hard Hat, Safety Glasses, Safety Shoes, Gloves, First Aid Kit
- Wear a hard hat whenever working at an installation or construction site.
- Wear high top safety shoes with non-slip soles. Tools, bars, cribbing, rollers, etc. are frequently dropped and can cause injury.
- Safety glasses are a must.
- Leather faced gloves should be worn when handling glass or unfinished metals.

2.3 Tools & Supplies

- The installation of B/R windows requires the use of specialized lifting devices and tools. A good resource for the proper tools is the CR Laurence Company. Some of the items required are listed:
 - Vacuum Cups (Min. 4) such as the Woods “Powr-Grip”. These come in various sizes & ratings.
 - Phillips Screwdriver #2
 - Plastic Glass Guides (Min. 4) (approximately 3”x6”x3/16” thick). These are used as a guide when installing the glass into the frame.
 - Box Cutter
 - Isopropyl Alcohol 90%
 - Sheet Rags
 - Shim Assortment

2. INSTALLATION (continued)

2.4 Unpacking and Inspection

It is the responsibility of the receiving party to inspect the crate for visible damage. Damage should be noted on freight forwarders Bill of Lading and a claim filed by the receiving party. Open shipping crate and remove the contents.

2.4.1 Model 330-5 Window crate should contain the following items:

1 ea	330-1500	Vision Window Assembly, 330-5
11 ea	330-2013	Mounting Strap
11 ea	8022-1012	PPHMS 10-32x3/8
11 ea	8031-4432	HWHS #10x1
1 ea	-----	Installation Manual

2.4.2 Model 330-8 Window crate should contain the following items:

1 ea	330-1800	Vision Window Assembly, 330-8
12 ea	330-2013	Mounting Strap
12 ea	8022-1012	PPHMS 10-32x3/8
12 ea	8031-4432	HWHS #10x1
1 ea	-----	Installation Manual

2.4.3 Model 330-10 Window crate should contain the following items:

1 ea	330-3000	Vision Window Assembly, 330-10
14 ea	330-2013	Mounting Strap
14 ea	8022-1012	PPHMS 10-32x3/8
14 ea	8031-4432	HWHS #10x1
1 roll	2305-0001	Tape, 1/16x3/4 Glazing
12 ea	2305-0002	Setting Block, 1/4x1x4
2 ea	9025-0001	Glass, 33"x57-3/4"x1-3/16" Laminated B/R (shipped in a separate crate)
1 ea	-----	Installation Manual

2.4.4 Model 330-15 Window crate should contain the following items:

1 ea	330-3500	Vision Window Assembly, 330-15
25 ea	330-2013	Mounting Strap
25 ea	8022-1012	PPHMS 10-32x3/8
25 ea	8031-4432	HWHS #10x1
2 rolls	2305-0001	Tape, 1/16x3/4 Glazing
18 ea	2305-0002	Setting Block, 1/4x1x4
3 ea	9025-0001	Glass, 33"x57-3/4"x1-3/16" Laminated B/R (shipped in a separate crate)
1 ea	-----	Installation Manual

2.5 Site Requirements

The B/R Vision Window can be installed in any environment where a B/R Window is required. The B/R Window is most often installed for use in drive through applications, such as a financial institution. It is recommended that it be installed under a canopy. It should be installed after the exterior finish but prior to the interior finish.

2. INSTALLATION (continued)

2.6 Installation Instructions (Refer to Figure 2-1, Figure 2-2, and Drawing 20174)

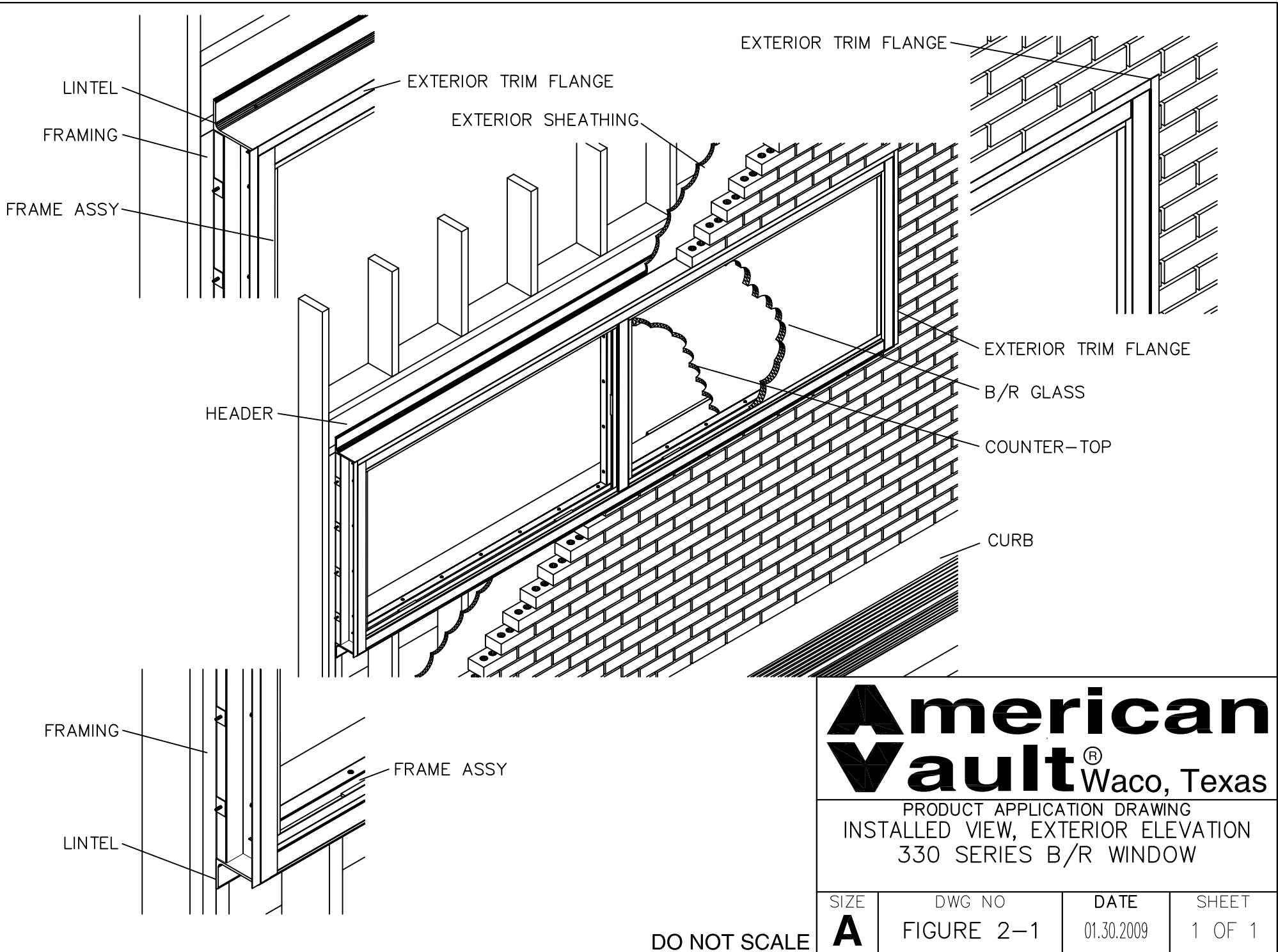
These procedures assume the Frame Assembly and Glass were shipped separately and were not factory glazed. These procedures assume it is a new construction with the exterior finish applied. These procedures assume the interior finish and counter, has not been installed.

2.6.1 Frame Installation (Frame is installed from building exterior)

- Check opening for correct size.
- Check for flatness of exterior surface (Example: Brick or stucco as opposed to rock).
- Check lower sill plate and lintel for flatness. If it is not flat, it will be necessary to shim the frame.
- Remove Frame Assembly from crate.
- Apply a sealant to the exterior edges of the opening on (2) sides and top.
- Apply a sealant to the top surface of the bottom of the opening.
- From building exterior, position the frame bottom in the opening and tilt frame into opening.
- With a person holding the frame into position from the exterior, temporarily install anchors in the mounting flange from the building interior. Depending on construction it might be necessary to install mounting straps supplied. These are used when the mounting holes fall into an area in the wall where there is nothing to fasten to, such as air space in a brick wall.
- Check lower horizontal frame member for contact with the opening sill plate. Shim between frame member and sill plate. Shim spacing should be no greater than 24" apart.
- Make sure sealant applied behind exterior trim flange and under bottom horizontal frame member is ample and continue with fastener installation.

2.6.2 Glass Installation (Glass is installed from building interior)

- Remove all interior glass stops and hardware.
- Clean inside surface of exterior glass stops using isopropyl alcohol and clean rag.
- Apply glazing tape supplied to all interior surfaces of exterior glass stops. Tape joints should be applied as a butt joint. Do not overlap tape joints.
- Position setting blocks supplied in bottom frame member. These should be spaced a maximum of 30" apart.
- Position and secure glass guides in frame opening. There should be (2) at the bottom and (1) on each side. These will help protect the glass edges during installation.
- Remove (1) lite of glass from crate. Clean front and back glass surface using isopropyl alcohol.
- With glass lying flat, position the front edge of glass on the settings blocks allowing space to tilt the glass into position. Do not allow glass to contact glazing tape. Make sure glass is centered in the frame opening. There should be approximately 3/8" clearance on each side.
- Tilt glass into frame opening slowly. Making sure that glass is centered in the frame opening.
- Apply light pressure to glass so it bonds to glazing tape.
- Clean one side of interior glass stops using isopropyl alcohol. Apply glazing tape.
- Position interior horizontal glass stops in frame and secure using hardware previously removed.
- Position interior vertical glass stops in frame and secure using hardware previously removed.
- Repeat steps above for the next lite of glass if applicable.

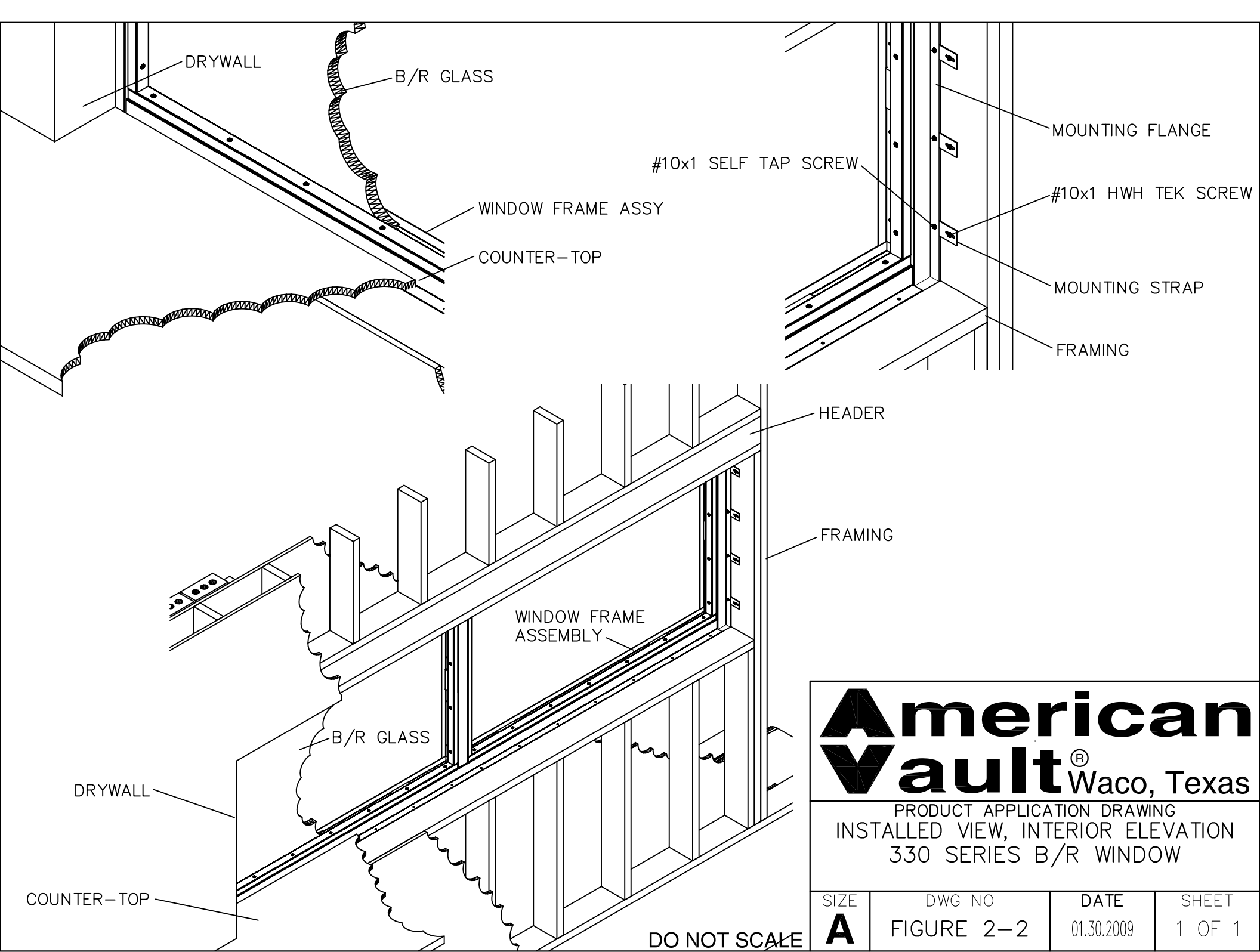


American
vault® Waco, Texas

PRODUCT APPLICATION DRAWING
 INSTALLED VIEW, EXTERIOR ELEVATION
 330 SERIES B/R WINDOW

SIZE	DWG NO	DATE	SHEET
A	FIGURE 2-1	01.30.2009	1 OF 1

DO NOT SCALE



DRYWALL

B/R GLASS

WINDOW FRAME ASSY

COUNTER-TOP

#10x1 SELF TAP SCREW

MOUNTING FLANGE

#10x1 HWH TEK SCREW

MOUNTING STRAP

FRAMING

HEADER

FRAMING

WINDOW FRAME ASSEMBLY

B/R GLASS

DRYWALL

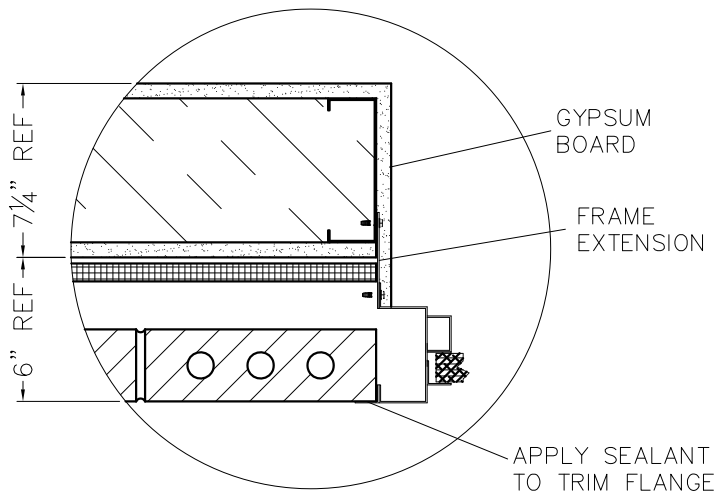
COUNTER-TOP

American Vault[®] Waco, Texas

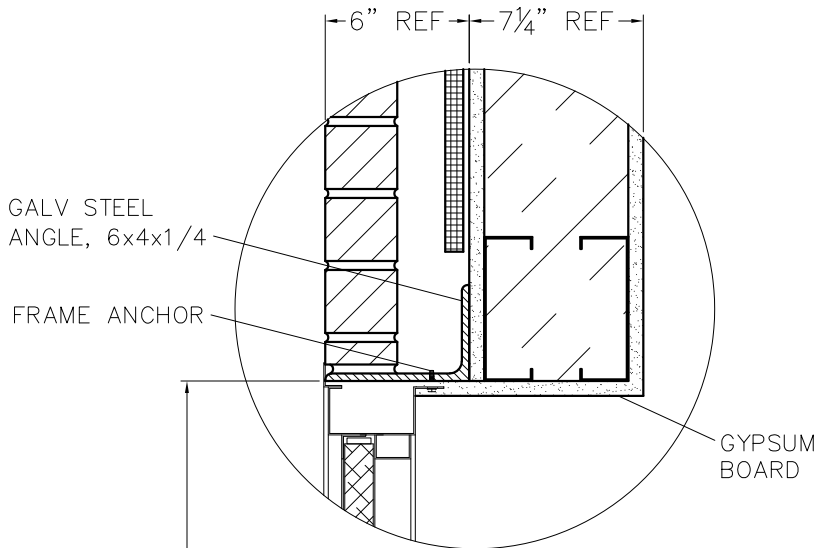
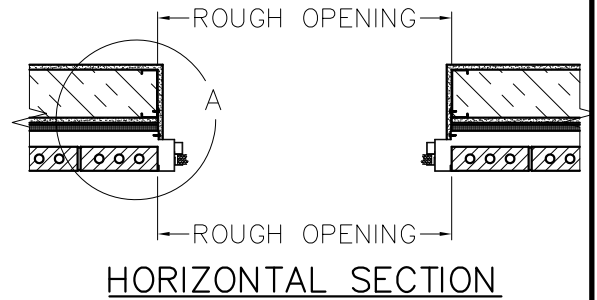
PRODUCT APPLICATION DRAWING
 INSTALLED VIEW, INTERIOR ELEVATION
 330 SERIES B/R WINDOW

SIZE	DWG NO	DATE	SHEET
A	FIGURE 2-2	01.30.2009	1 OF 1

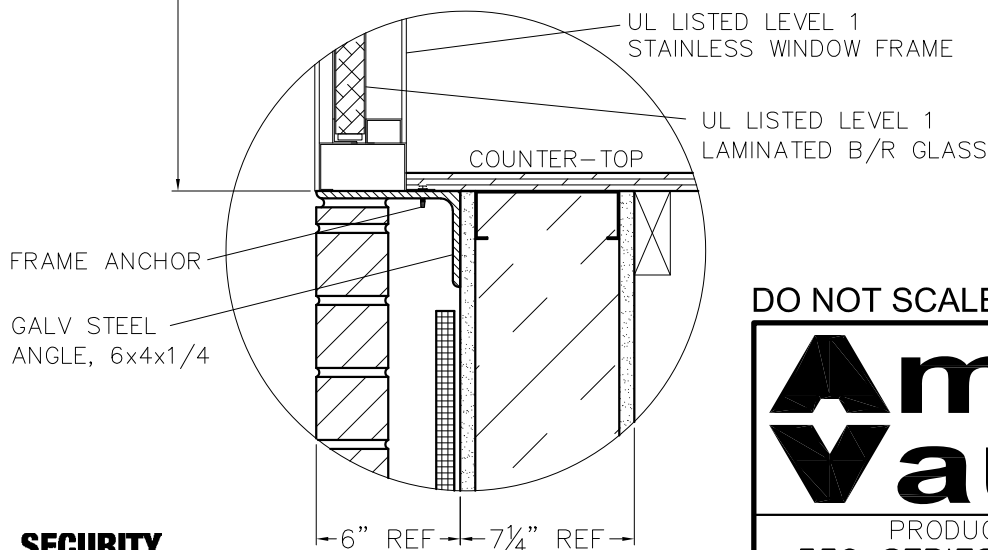
DO NOT SCALE



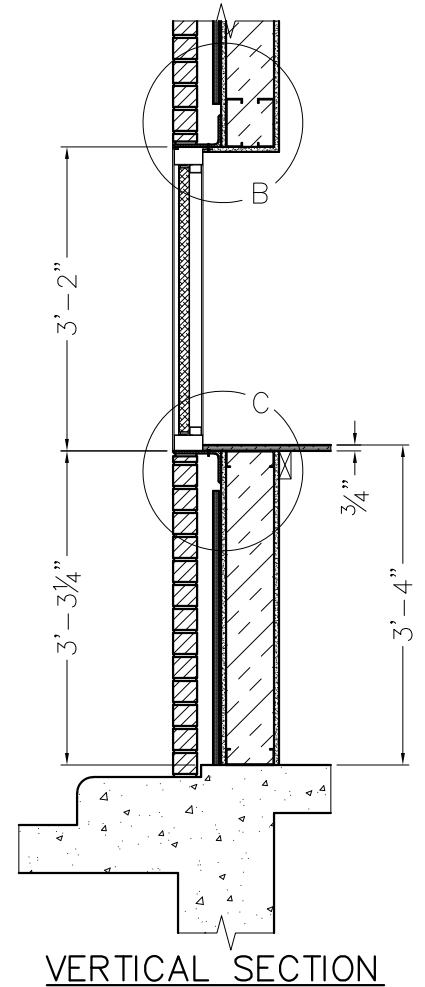
JAMB DETAIL-A



HEAD DETAIL-B



SILL DETAIL-C



DO NOT SCALE

American Vault[®] Waco Texas

PRODUCT APPLICATION DRAWING
330 SERIES VISION WINDOW DETAILS

SECURITY



LISTED

NOTE:
WINDOWS SHOULD BE INSTALLED
UNDER A PROTECTIVE CANOPY.

SIZE	DWG NO	DATE	SHEET
AA	20174	12.01.2023	1 OF 1

3. MAINTENANCE

3.1 Preventative/Periodic Maintenance

- Do not expose the window assembly to harsh chemicals typically used in the construction industry (such as “acid” for washing brick). These chemicals will permanently damage the appearance of the window.
- Clean the window assembly interior & exterior on a regular basis.
 - Clean the Glass using a soft cloth and “Windex” or other comparable product.
 - Clean the stainless steel frame components using a soft cloth and a high quality product such as “ZEP Stainless Steel Cleaner”.