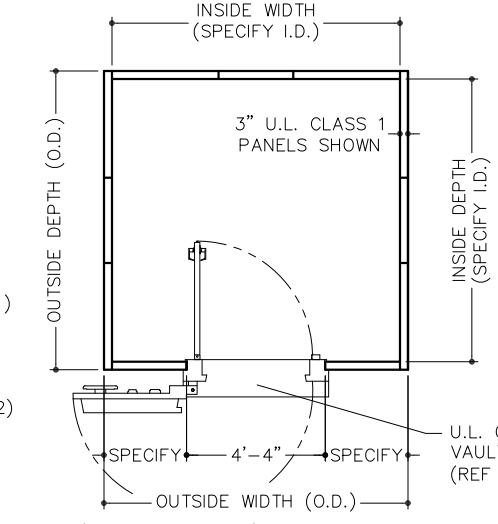
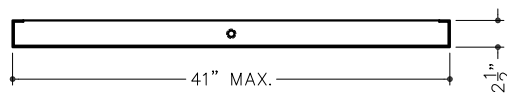


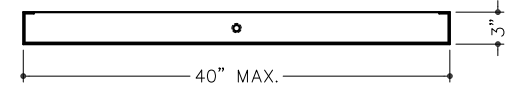
PLAN (ROOF PANELS)



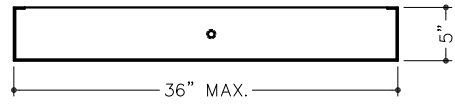
PLAN (WALLS PANELS)



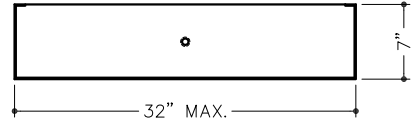
MODEL 222MM
U.L. CLASS M
36 LBS. PER SQ. FT.
15 MIN. ATTACK RESISTANCE



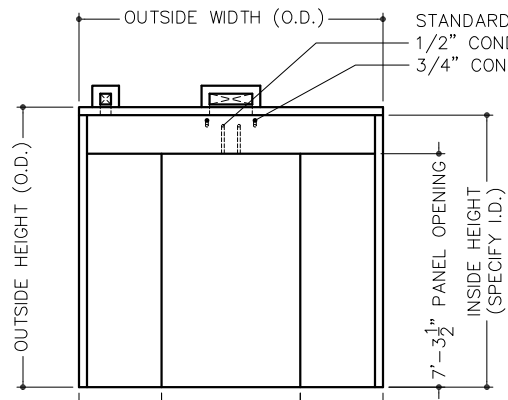
MODEL 222MV1
U.L. CLASS 1
42 LBS. PER SQ. FT.
30 MIN. ATTACK RESISTANCE



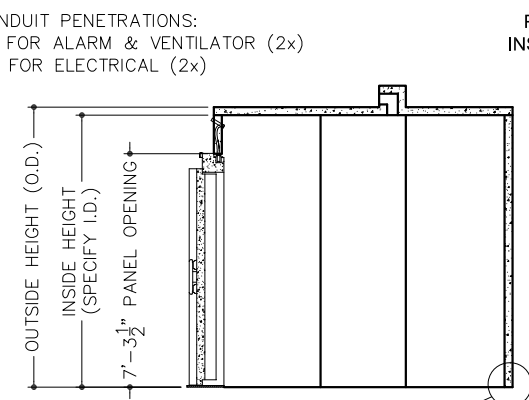
MODEL 222MV2
U.L. CLASS 2
70 LBS. PER SQ. FT.
60 MIN. ATTACK RESISTANCE



MODEL 222MV3
U.L. CLASS 3
98 LBS. PER SQ. FT.
120 MIN. ATTACK RESISTANCE



FRONT ELEVATION



SECTION THRU DOOR OPENING & VENT PORT

CAUTION!
PRIOR TO INSTALLATION READ VAULT PANEL INSTALLATION PROCEDURES AND VAULT DOOR INSTALLATION MANUAL PROVIDED. ONLY PROFESSIONALS EXPERIENCED AND QUALIFIED IN THE INSTALLATION OF MODULAR VAULTS AND VAULT DOORS SHOULD INSTALL THIS PRODUCT.

WHEN SPECIFYING THE VAULT, PROVIDE THE FOLLOWING:

- UL CLASS (M, 1, 2, OR 3)
- NUMBER OF SIDES (5 OR 6)
- INSIDE DIMENSIONS (WIDTH x DEPTH x HEIGHT)
- VAULT DOOR LOCATION & SWING (LEFT OR RIGHT)
- VENT PORT LOCATION (IF APPLICABLE)
- UTILITY PORT LOCATION (IF APPLICABLE)

EXAMPLE:
UL CLASS 1, 5 SIDED VAULT,
(I.D. = 9'-0" W x 12'-0" D x 8'-6" H)
LEFT SWING DOOR CENTERED ON 9'-0" WALL



NOTES:
1. PANELS ARE CONSTRUCTED OF FIBER REINFORCED CONCRETE AND REBAR IN A FIVE-SIDED STEEL PAN. STEEL PAN FORMS INTERIOR OF VAULT WITH EXPOSED CONCRETE ON EXTERIOR.
2. ALL INSIDE ADJOINING SURFACES TO BE WELDED WITH 1" OF 1/8" WELD PER FOOT OF LENGTH.
3. ALL UTILITY CONNECTIONS ARE BY OTHERS.
4. STRUCTURAL DESIGN OF FLOOR AND SUPPORTING FOUNDATION BY OTHERS.
5. SEISMIC CALCULATIONS ARE BY OTHERS, IF APPLICABLE.
6. PANELS ARE SHIPPED "KNOCK-DOWN" TO BE ERECTED AT JOB SITE PER SPECIFICATIONS FURNISHED.
7. WALL, ROOF, & FLOOR COVERINGS ARE BY OTHERS, WHERE APPLICABLE. APPROPRIATE UNDERLAYMENT MATERIAL APPLIED PRIOR TO FINAL FLOOR COVERING MAY BE REQUIRED FOR A SMOOTH FLOOR ON INSTALLATIONS THAT INCLUDE FLOOR PANELS.
8. ALL DIMENSIONS ARE NOMINAL. TOLERANCES OF 1/32" PER FOOT OF LENGTH ARE TO BE ALLOWED.

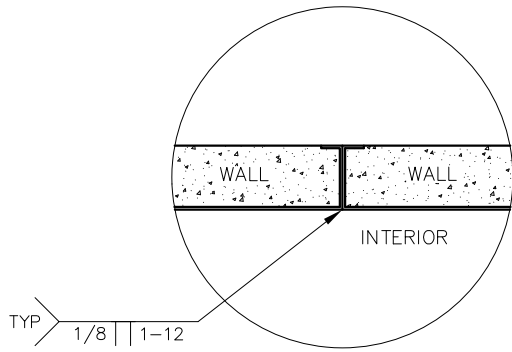
NOTES CON'T:
9. THIS STRUCTURE IS NOT DESIGNED FOR ADDITIONAL LOADS APPLIED TO THE ROOF.
10. ELECTRICIAN IS TO INSTALL 120V, 10A DUPLEX OUTLET ABOVE DOOR FOR VENTILATOR SUPPLY.
11. IT IS THE RESPONSIBILITY OF THE OWNER/ARCHITECT/GENERAL CONTRACTOR TO ENSURE THAT ALL LOCAL, STATE, & FEDERAL ADA REGULATIONS ARE IN COMPLIANCE. FLOOR FINISH TO THE VAULT DOOR THRESHOLD IS THE RESPONSIBILITY OF THE GENERAL CONTRACTOR.
12. PANELS ARE CAST WITH LIFT POINTS AT EACH END. REQUEST (P/N 9040-0002) 3/4" T-12 LIFTING SWIVEL & (P/N 9040-0006) 3/4" x 4" COIL BOLT FOR PROPER RIGGING ATTACHMENT.
13. VAULT DOOR REQUIRES INSTALL KIT FOR PROPER INSTALLATION. REQUEST (P/N 102-2200).

DO NOT SCALE

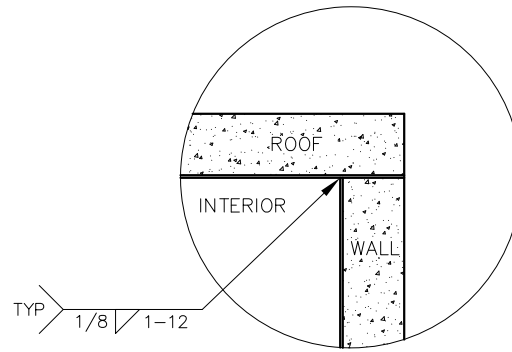
American Vault® Waco Texas

PRODUCT APPLICATION DRAWING
200 SERIES MODULAR VAULT
PANELS (MODEL 222)

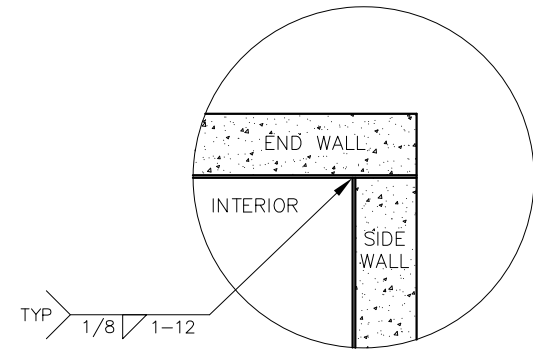
SIZE	DWG NO	DATE	SHEET
A	20220	12.01.2023	1 OF 2



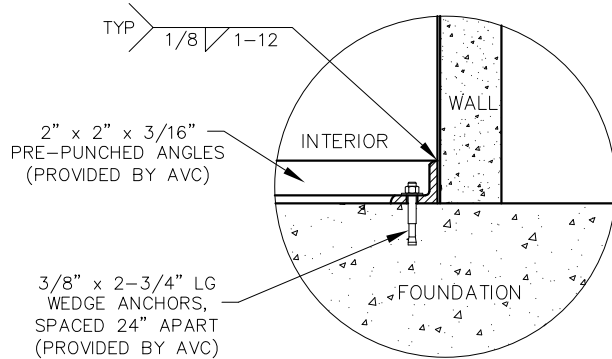
WALL TO WALL CONNECTION



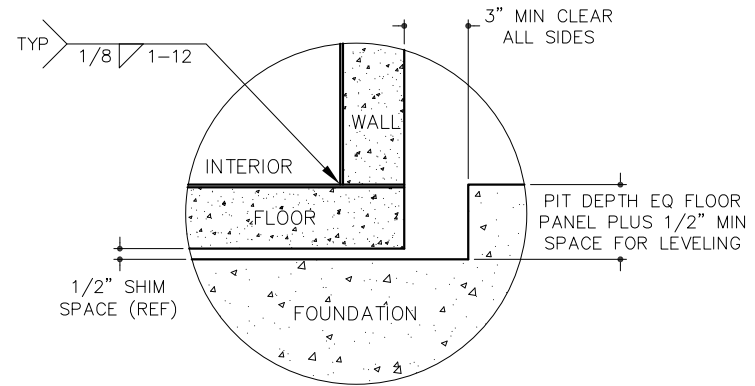
WALL TO ROOF CONNECTION



WALL TO WALL CORNER CONNECTION



WALL TO FOUNDATION CONNECTION
FIVE SIDED VAULT



WALL TO FLOOR CONNECTION
SIX SIDED VAULT WITH PIT



DO NOT SCALE

American
vault[®] Waco Texas

PRODUCT APPLICATION DRAWING
200 SERIES MODULAR VAULT
PANELS (MODEL 222)

CAUTION!
PRIOR TO INSTALLATION READ VAULT PANEL INSTALLATION PROCEDURES AND VAULT DOOR
INSTALLATION MANUAL PROVIDED. ONLY PROFESSIONALS EXPERIENCED AND QUALIFIED IN THE
INSTALLATION OF MODULAR VAULTS AND VAULT DOORS SHOULD INSTALL THIS PRODUCT.

SIZE	DWG NO	DATE	SHEET
A	20220	12.01.2023	2 OF 2