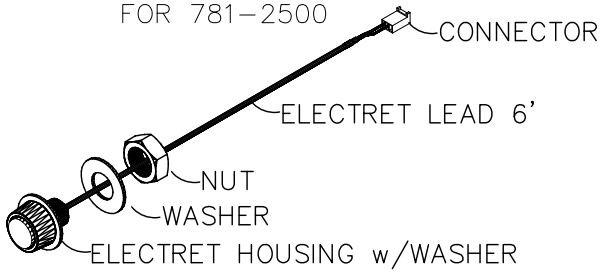
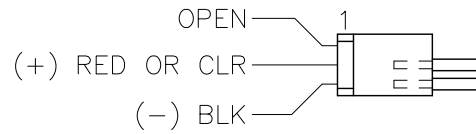
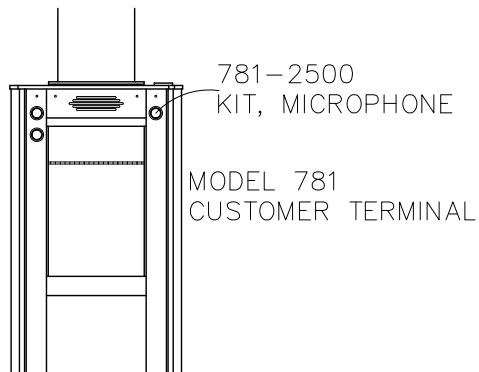
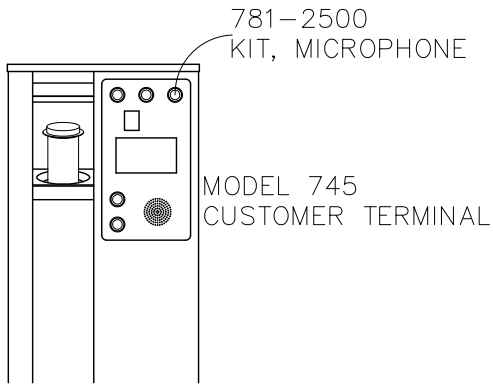


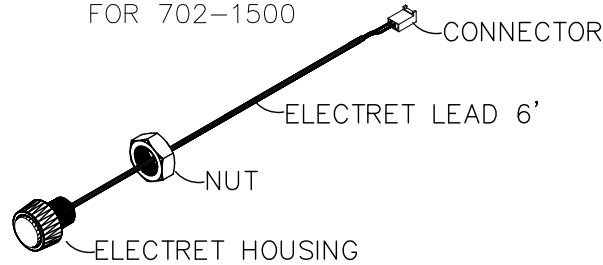
CONNECTOR DETAIL FOR 781-2500



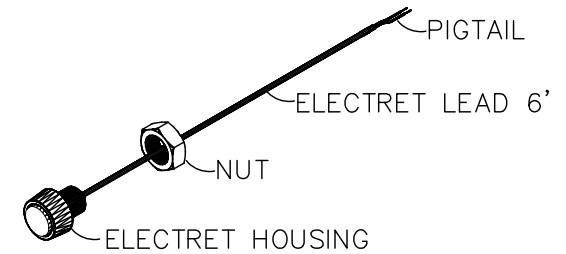
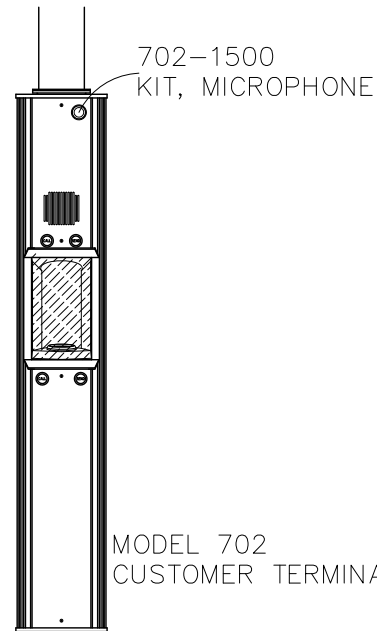
781-2500 KIT, MICROPHONE (745 & 781) PINNED FOR CONNECTION TO 745 & 781 CUSTOMER TERMINAL PCB



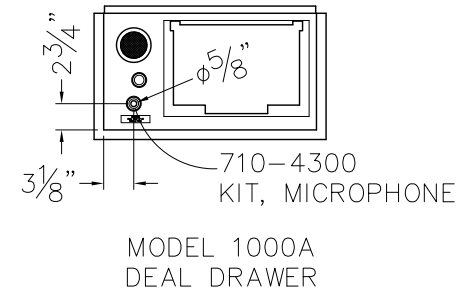
CONNECTOR DETAIL FOR 702-1500



702-1500 KIT, MICROPHONE (702CT) PINNED FOR CONNECTION TO 702 CUSTOMER TERMINAL PCB



710-4300 KIT, UNIV MICROPHONE PIGTAIL CONNECTION FOR USE WITH MODEL 1000A DEAL DRAWER



**American Vault<sup>®</sup>** Waco, Texas

PRODUCT APPLICATION DRAWING  
MICROPHONE KIT  
PRODUCT APPLICATION & LOCATIONS

SIZE	DWG NO	DATE	SHEET
<b>A</b>	20195	11.13.2024	1 OF 1

DO NOT SCALE