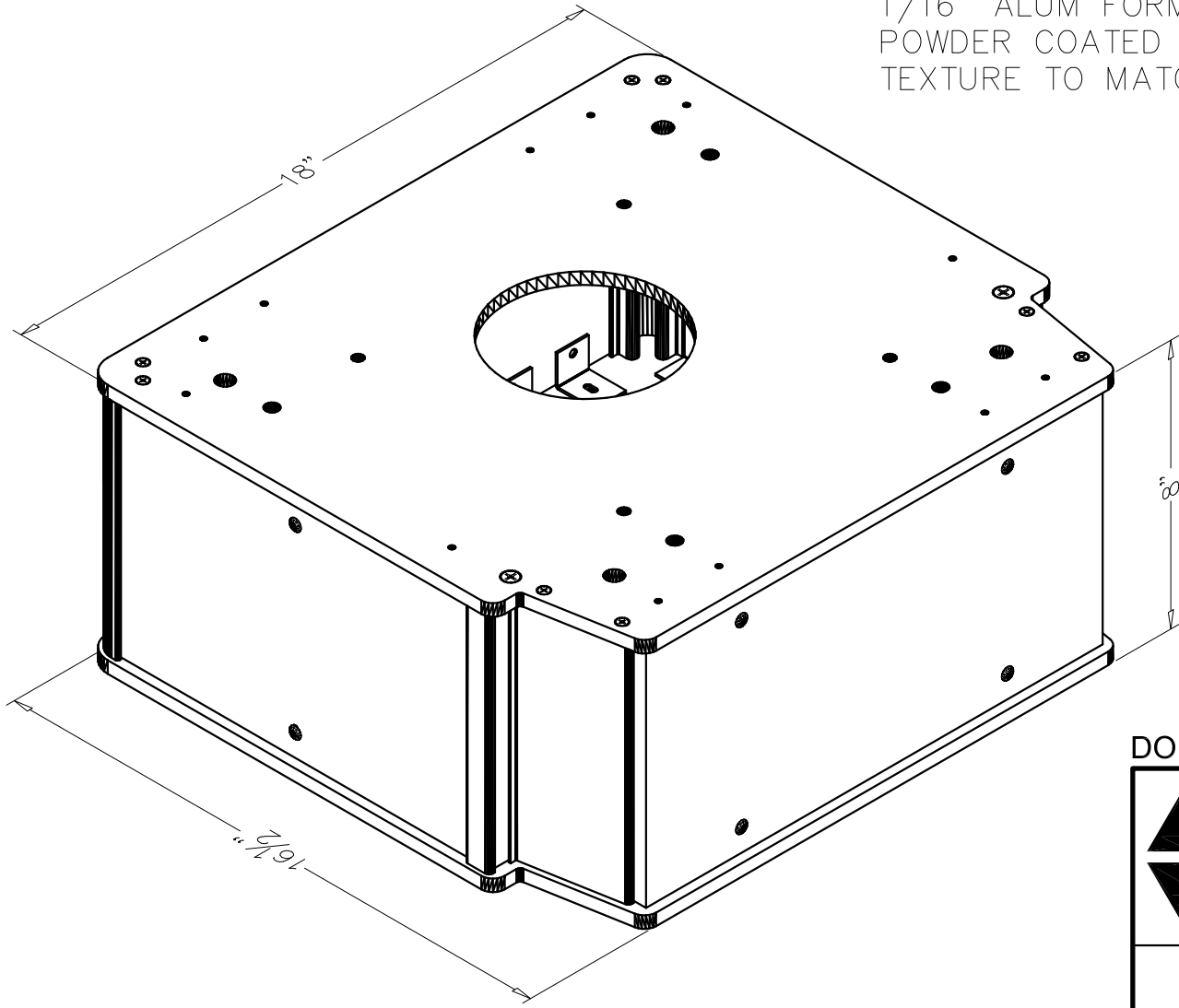


CONSTRUCTION:
 POWDER COATED PLATE TOP & BOTTOM
 1/8" EXTRUDED ALUM PROFILES
 1/16" ALUM FORMED ALUM SHT
 POWDER COATED AVC NEUTRAL WRINKLE OR BLACK
 TEXTURE TO MATCH 781 SERIES CTS.



DO NOT SCALE

American
vault[®] Waco Texas

PRODUCT APPLICATION DRAWING
 RISER, 8" (781 SERIES CTS)
 PART #781-8000

SIZE	DWG NO	DATE	SHEET
A	20157	12.01.2023	1 OF 1