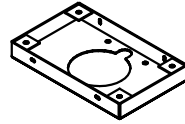
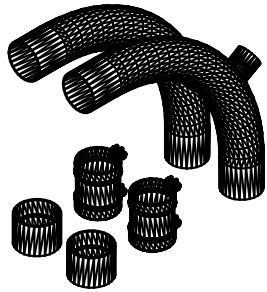


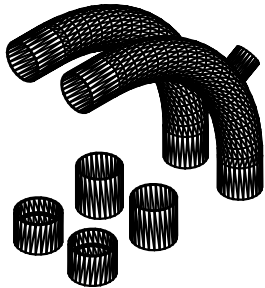
NOTES:
 1. WHEN ORDERING SPECIFY SYSTEM MODEL 703-00 SET-UP FOR PVC TUBING OR SYSTEM MODEL 703-01 SET-UP FOR STEEL TUBING.
 2. ORDER ADDITIONAL TUBING, BENDS, FITTINGS, ETC. AS REQUIRED.
 3. INSTALLATION BRACKETS FOR SUSPENDING TELLER TERMINAL ARE AVAILABLE.



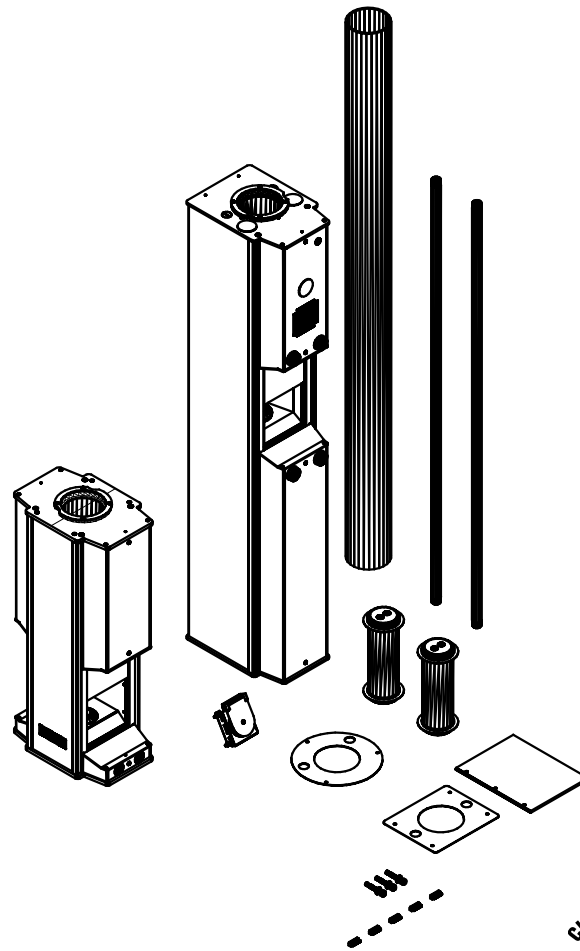
KIT, DUAL TT SUSPENSION BRACKET
 (OPTIONAL)
 PART #703-1700



ADDITIONAL COMPONENTS PROVIDED WHEN ORDERING SYSTEM MODEL 703-01 SET-UP FOR STEEL TUBING



ADDITIONAL COMPONENTS PROVIDED WHEN ORDERING SYSTEM MODEL 703-00 SET-UP FOR PVC TUBING



BASIC SYSTEM COMPONENTS



ITEM	QTY	PART NO.	DESCRIPTION	NOTE
04	2	700-9911	CONDUIT,3/4IMCx10	1,2
03	1	700-3200	AIR BYPASS VALVE ASSY	1,2
02	1	700-1002	MANUAL,700 RTS OP/INSTALL	1,2
01	2	4001-77AF	CARRIER,CLR/CLR/ALL 4.290	1,2

ADDITIONAL COMPONENTS PROVIDED WITH SYSTEM MODEL 703-01 (STEEL)

ITEM	QTY	PART NO.	DESCRIPTION	NOTE
08	5	7428-0008	PLUG,TERM BLOCK 8 POS	1,2
07	1	702-9752	TRANSITION CVR PLT	1,2
06	1	702-1000	FINAL ASSY, MOD 702 C/T	1,2
05	1	703-1000	FINAL ASSY, MOD 703 DUAL ACCESS TT	1,2,3

ADDITIONAL COMPONENTS PROVIDED WITH SYSTEM MODEL 703-00 (PVC)

ITEM	QTY	PART NO.	DESCRIPTION	NOTE
19	1	9030-0008	STL BEND,EXT A/REL 4-1/2"	1,2
18	2	9030-0009	COUPLING 4-1/2"x6"	1,2
17	1	9030-0004	STL BEND 4-1/2",20R,90D	1,2
16	2	701-9708	ADAPTER,STL to CLR	1,2
15	2	701-9715	ADAPTER,PVC to CLEAR 4-1/2"	1,2
14	2	9031-0004	PVC COUPLING,4-1/2"	1,2
13	1	9031-0003	PVC BEND,4-1/2 20R w/AIR RLF	1,2
12	1	9031-0002	PVC BEND,4-1/2 20R 90D	1,2
11	1	9030-0001	CAB TUBING 4-3/4x4-3/8x10	1,2
10	3	8097-0001	WEDGE ANCHOR 3/8x2-3/4	1,2
09	1	703-9752	TRIM,CEILING TRANSITION (DUAL TT)	1,2

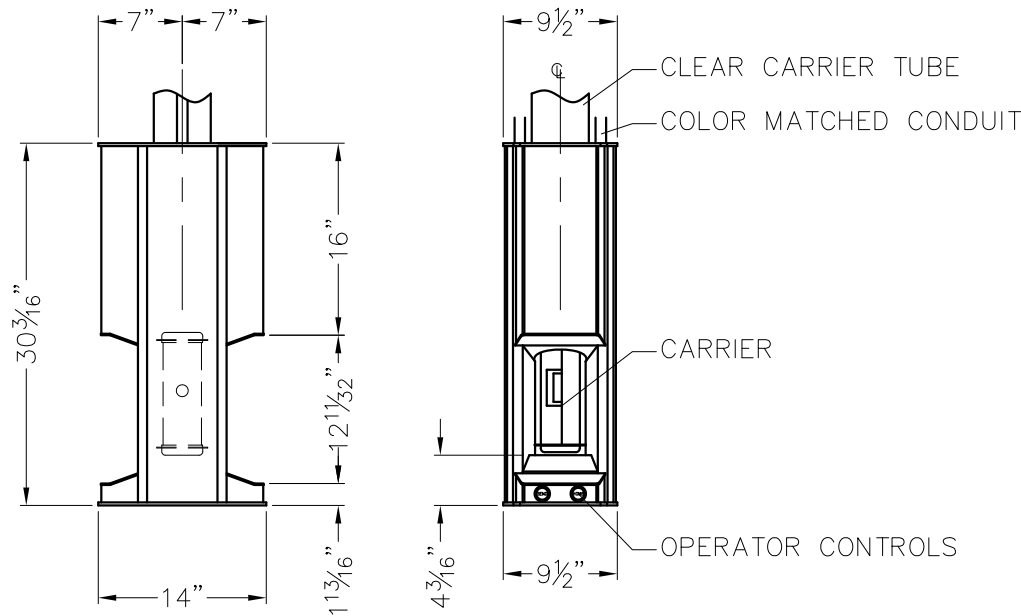
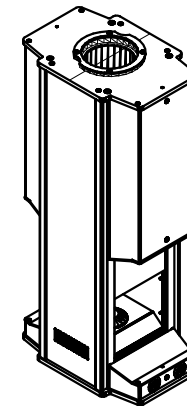
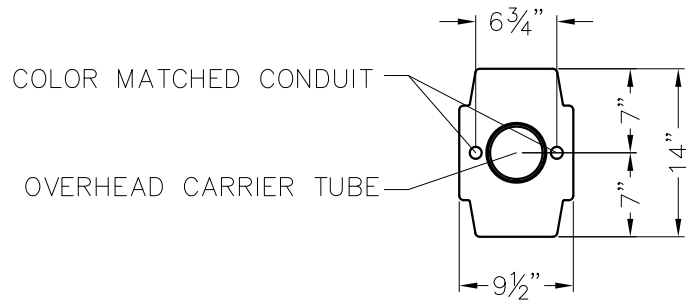
BASIC SYSTEM COMPONENTS

DO NOT SCALE

American Vault[®] Waco Texas

PRODUCT APPLICATION DRAWING
 703 DUAL ACCESS RTS 4-1/2" UPSEND
 SYSTEM COMPONENTS
 MODEL 703-00 PVC MODEL 703-01 STEEL

SIZE	DWG NO	DATE	SHEET
A	20153	12.01.2023	1 OF 5



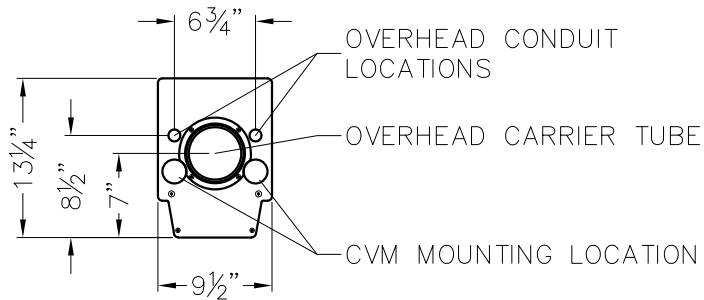
DO NOT SCALE

American
vault® Waco Texas

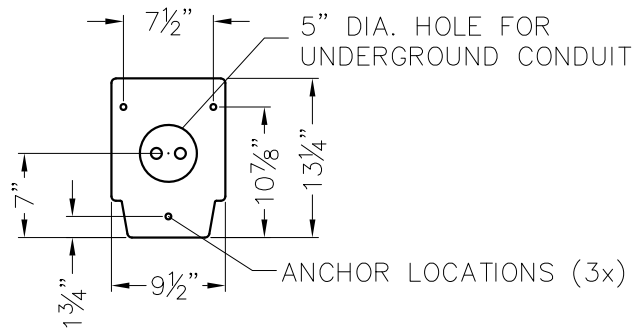
PRODUCT APPLICATION DRAWING
 703 DUAL ACCESS RTS 4-1/2" UPSEND
 MODEL 703 TELLER TERMINAL DETAIL



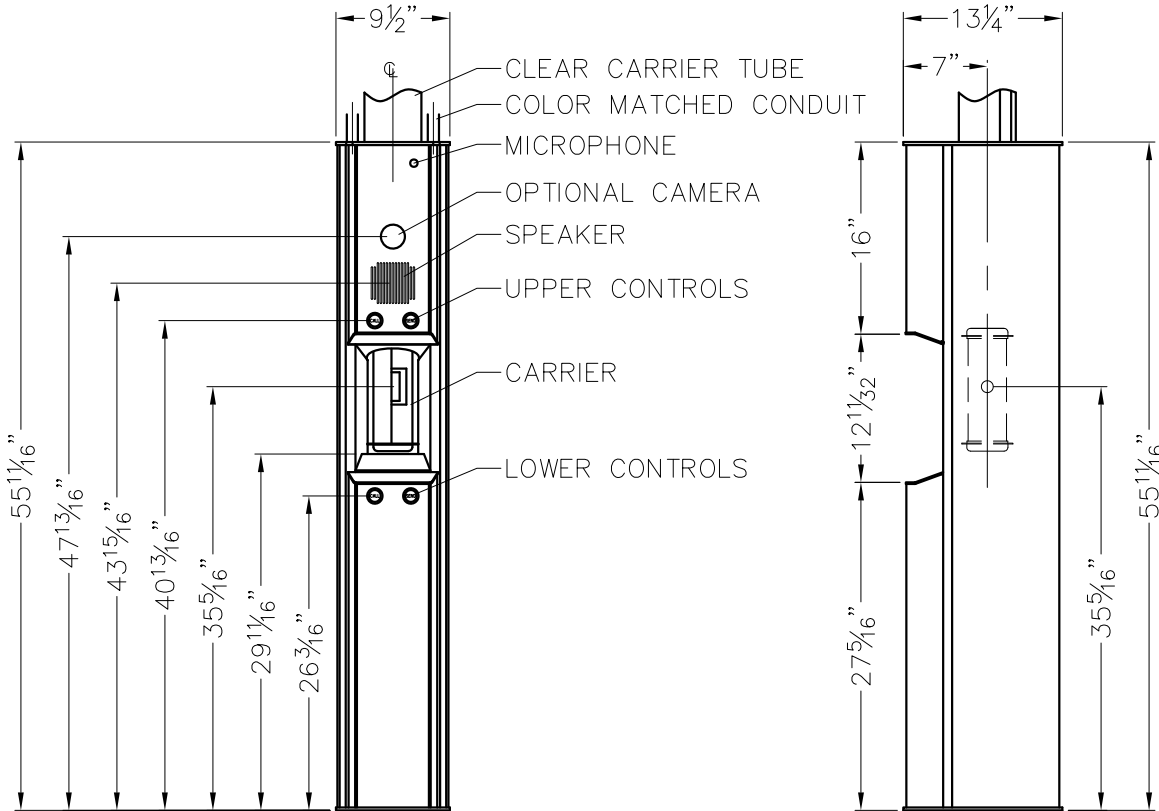
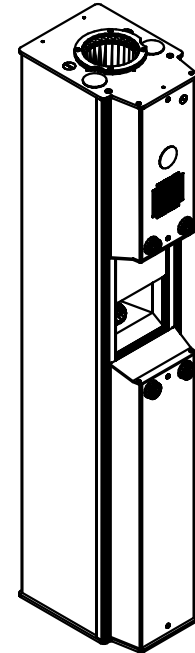
SIZE	DWG NO	DATE	SHEET
A	20153	12.01.2023	2 OF 5



TOP PLATE DETAIL



BASE PLATE DETAIL



DO NOT SCALE

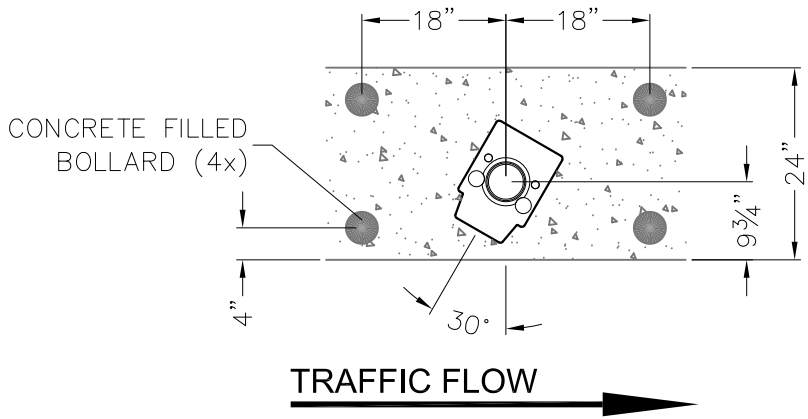
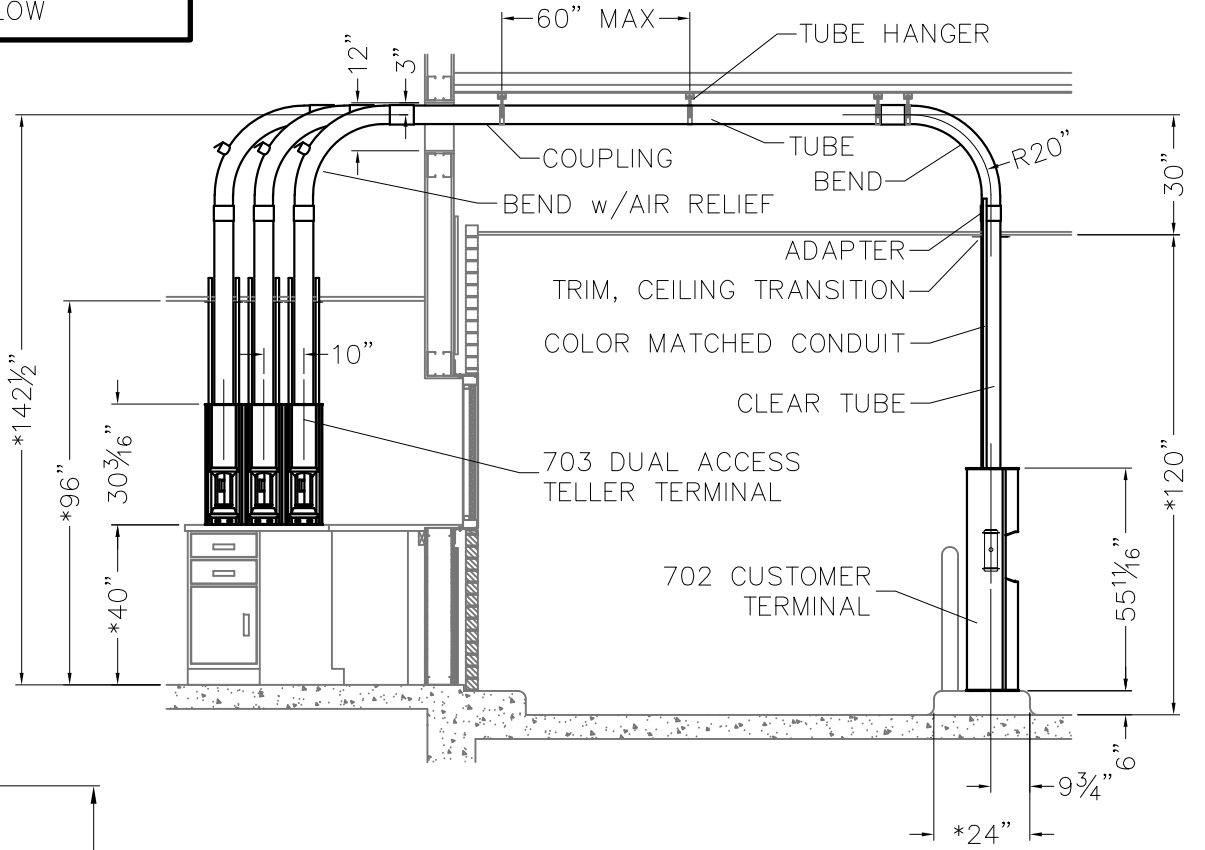
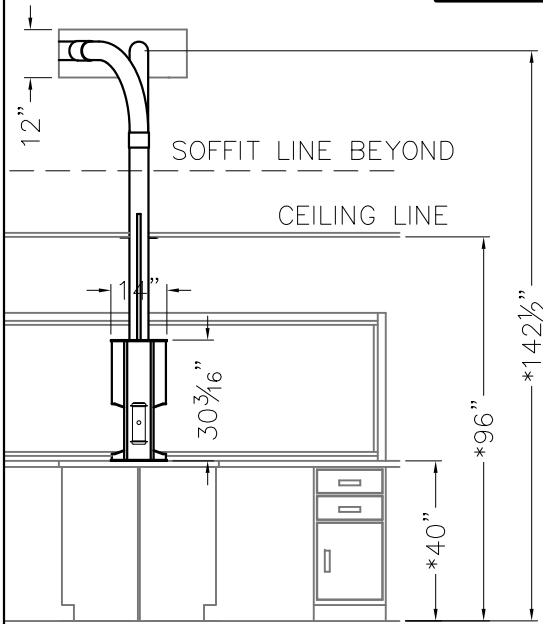


American
vault[®] Waco Texas

PRODUCT APPLICATION DRAWING
703 DUAL ACCESS RTS 4-1/2" UPSEND
MODEL 702 CUSTOMER TERMINAL DETAIL

SIZE	DWG NO	DATE	SHEET
A	20153	12.01.2023	3 OF 5

*DIMENSIONS MARKED WITH AN ASTERISK MAY VARY WITH BUILDING/CANOPY CONSTRUCTION. REFERENCE NOTES BELOW



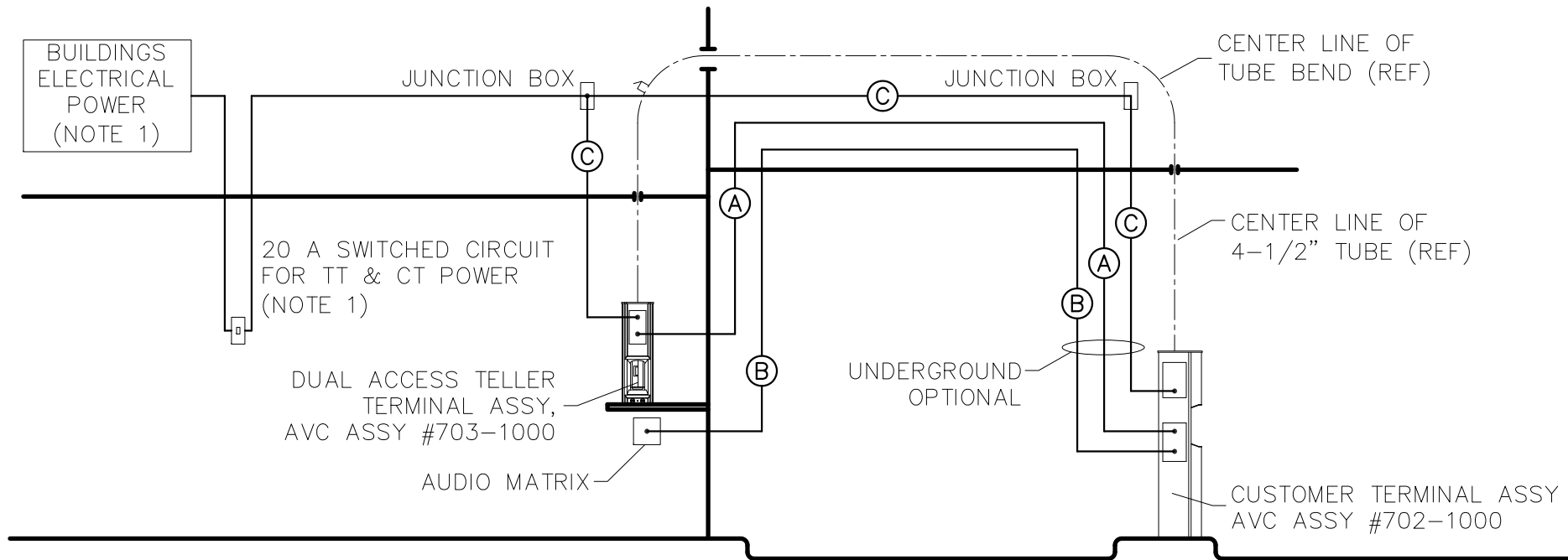
- NOTES:
1. CANOPY AND SOFFIT DIMENSIONS SHOWN ARE REQUIRED TO FULLY ENCLOSE BEND AND TUBE TRANSITION. VARYING FROM THESE DIMENSIONS IS ACCEPTABLE, HOWEVER THE TRANSITION WILL BE EXPOSED.
2. THE RECOMMENDED MINIMUM ISLAND WIDTH IS 24". AN ISLAND WIDTH LESS THAN THIS CAN BE USED WITH PROPER PROTECTIVE BOLLARDS AND OR GUARDS.

DO NOT SCALE

American Vault® Waco Texas

PRODUCT APPLICATION DRAWING
703 DUAL ACCESS RTS 4-1/2" UPSEND
INSTALLED VIEW

SIZE	DWG NO	DATE	SHEET
A	20153	12.01.2023	4 OF 5



(A) CUSTOMER/TELLER INTERFACE CABLE
 15 CONDUCTOR, 22GA.
 REF BELDEN #8456 OR EQUIV.
 AVC PART #2009-0003

(B) AUDIO INTERFACE CABLE
 (REFER TO AUDIO SPEC'S
 FOR CABLE TYPE)

(C) 120 VAC, 60Hz, 1PH, 20 AMP
 DEDICATED SWITCHED BRANCH CIRCUIT
 (NOTE 1)

NOTES:

1. THE BRANCH CIRCUITS SUPPLYING THE 700 SERIES RTS MUST BE A DEDICATED CIRCUIT USING INDIVIDUAL HOT, NEUTRAL AND GROUND CONDUCTORS.
2. NEITHER THE CONDUIT NOR THE NEUTRAL SHOULD BE SHARED WITH OTHER CIRCUITS.
3. CONDUIT MUST NOT BE USED IN PLACE OF GROUND WIRE.
4. CUSTOMER UNIT LOAD IS 9.0 AMPS. TELLER UNIT LOAD IS 1.0 AMP. NO OTHER LOADS ARE TO BE CONNECTED TO THIS CIRCUIT.
5. ONE BREAKER IS TO SHUT DOWN ONE SYSTEM (CUSTOMER & TELLER UNIT) ONLY.

DO NOT SCALE

American
vault® Waco Texas

PRODUCT APPLICATION DRAWING
 703 DUAL ACCESS RTS 4-1/2" UPSEND
 HOOK-UP DETAIL

SIZE	DWG NO	DATE	SHEET
A	20153	12.01.2023	5 OF 5