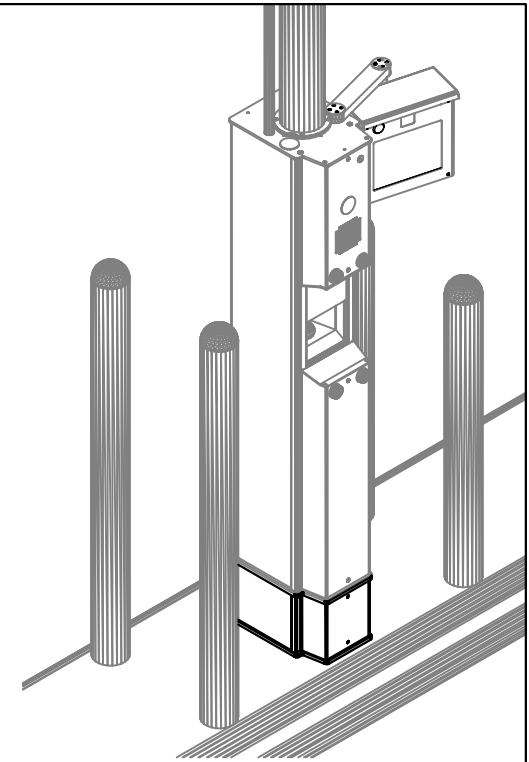


KIT INCLUDES:

- 1 EA. RISER, 8" (COLOR MATCHED TO 702 CU)
- 3 EA. HHCS 3/8-16x1 GR5 Z
- 3 EA. ANCHOR WEDGE 3/8x2-3/4
- 3 EA. NUT HEX 3/8-16 Z
- 3 EA. WASHER FLAT 3/8 Z



MODEL 702 CUSTOMER UNIT  
SHOWN INSTALLED w/8" RISER

DO NOT SCALE

**American**  
**vault**<sup>®</sup> Waco Texas

PRODUCT APPLICATION DRAWING  
KIT, 8" RISER (702 CU)  
PART #702-2100

SIZE	DWG NO	DATE	SHEET
<b>A</b>	20149	12.01.2023	1 OF 1