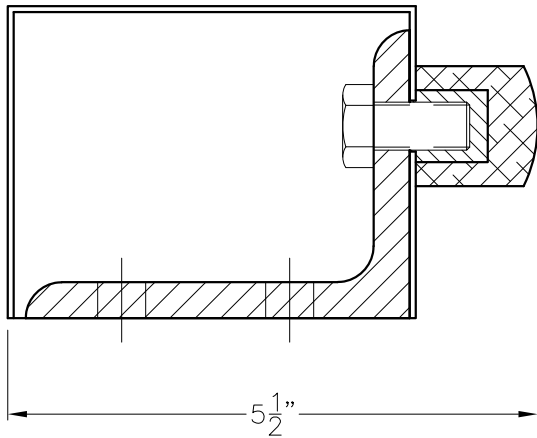
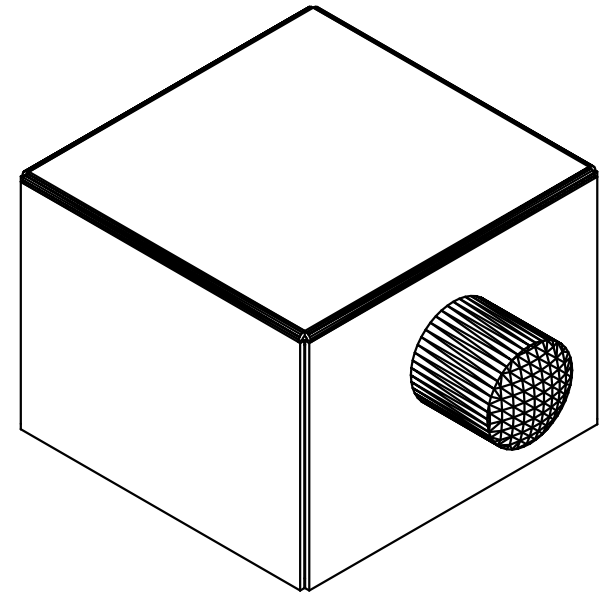
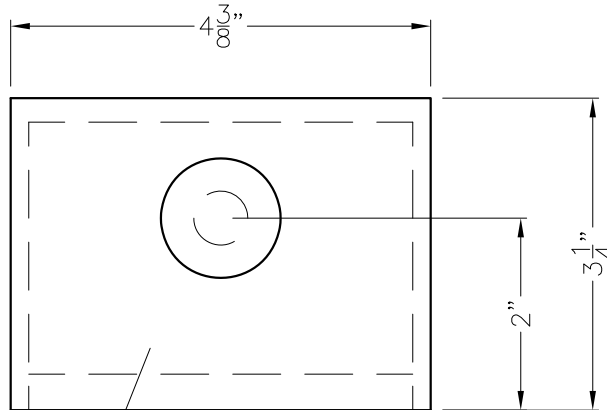


MOUNTING HOLES FOR $\frac{3}{8}$ "
WEDGE ANCHORS (PROVIDED)

BUMPER



STAINLESS STEEL COVER



DO NOT SCALE

American
vault[®] Waco Texas

PRODUCT APPLICATION DRAWING
DOOR STOP ASSEMBLY
AVC P/N 102-1800

SIZE

A

DWG NO

20114

DATE

12.01.2023

SHEET

1 OF 1