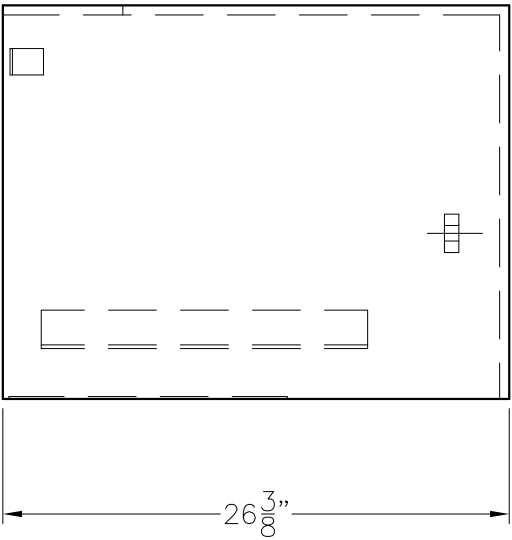
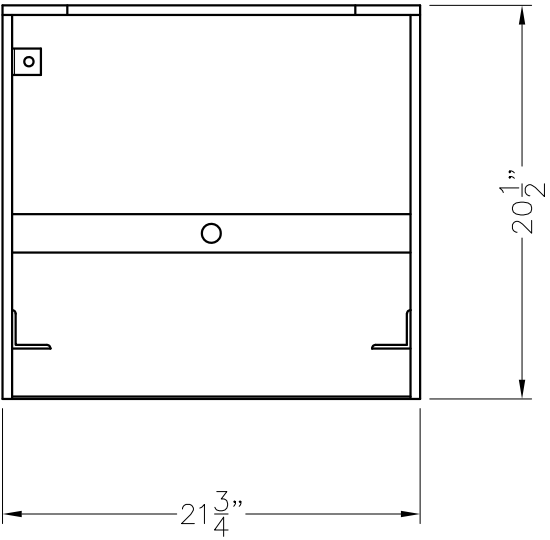
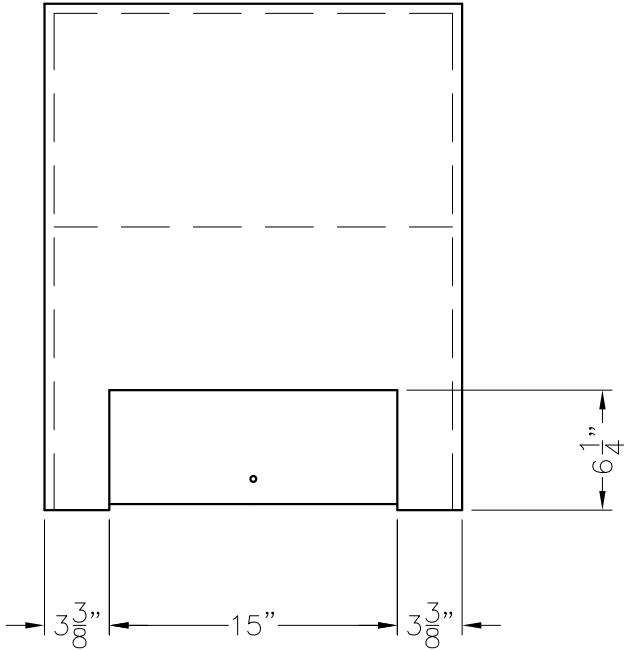


NOTES:

1. FOR USE WITH MODEL 85 DEPOSITORY. MUST BE WELDED TO APPROPRIATE RECEIVING CHEST. DO NOT ENCASE IN CONCRETE.



DO NOT SCALE

American Vault® Waco Texas

PRODUCT APPLICATION DRAWING
 2000 SERIES DEPOSITORY
 NON-GROUT OUTER HOUSING MOD 2063

SIZE	DWG NO	DATE	SHEET
A	20112	12.01.2023	1 OF 1