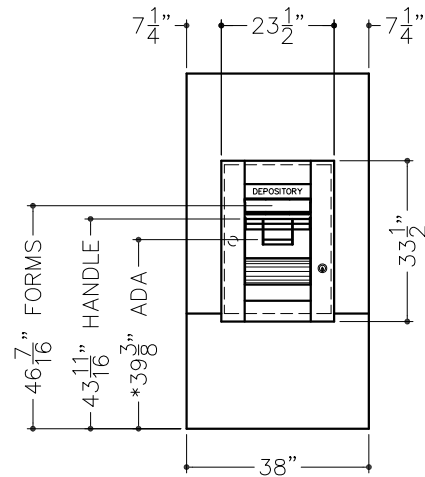


CAUTION!
 ONLY PROFESSIONALS EXPERIENCED AND QUALIFIED IN THE INSTALLATION OF SAFES SHOULD INSTALL THIS PRODUCT.

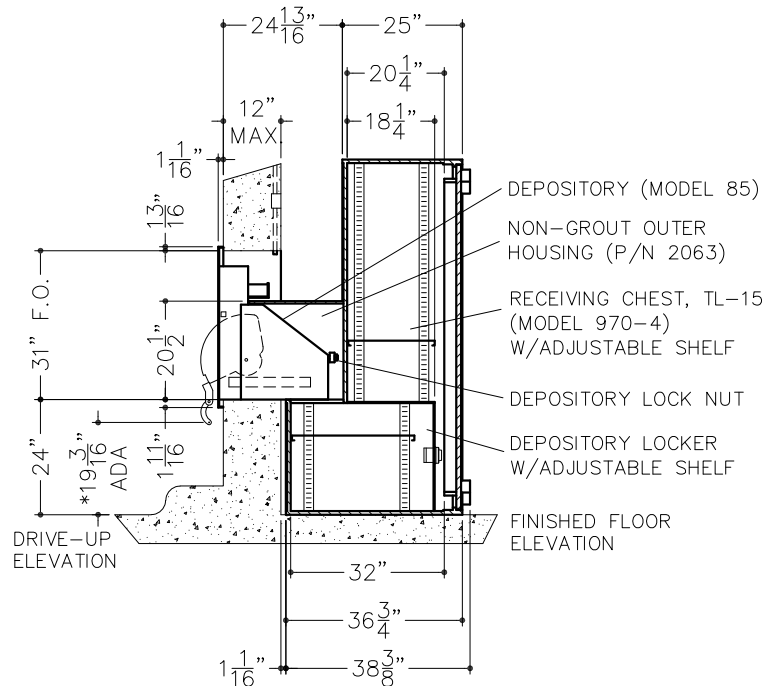
THIS PRODUCT SHOULD BE INSTALLED UNDER A WELL LIT CANOPY

FINISHED OPENING
 INTERIOR ELEVATION



EXTERIOR ELEVATION

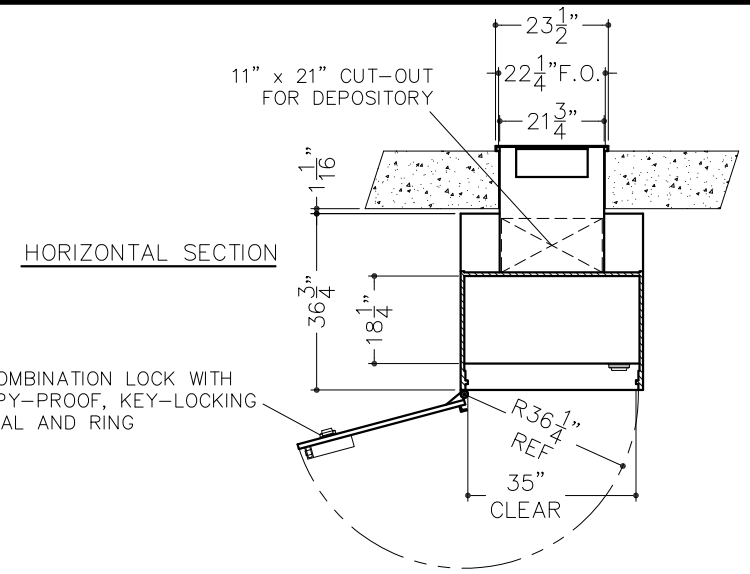
*ADA HANDLE CLOSED POSITION



VERTICAL SECTION

*ADA HANDLE OPEN POSITION

APPROXIMATE WEIGHTS:
 RECEIVING CHEST: 2,210 LBS.
 DEPOSITORY: 280 LBS.
 HOUSING: 325 LBS.



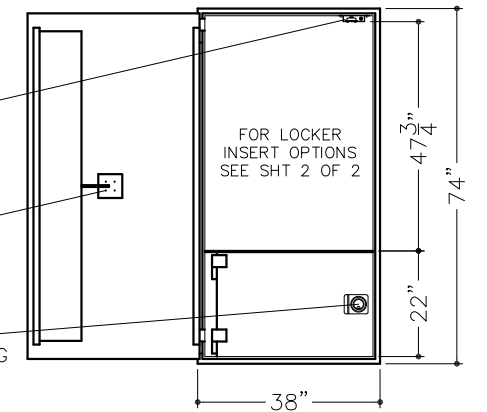
HORIZONTAL SECTION

COMBINATION LOCK WITH SPY-PROOF, KEY-LOCKING DIAL AND RING

ALARM KIT ASSEMBLY INCLUDES HEAT RISE & DOOR CONTACT SWITCH

PREPARED FOR 2 OR 3 MOVEMENT TIME LOCK

COMBINATION LOCK WITH FRONT READ, KEY-LOCKING DIAL AND RING



INTERIOR ELEVATION

(SHOWN WITH DOOR OPEN FOR CLARITY)

DO NOT SCALE

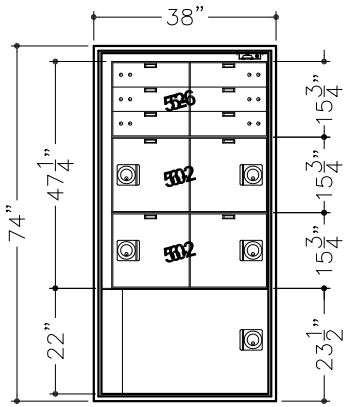
American Vault® Waco Texas

PRODUCT APPLICATION DRAWING
 MODEL 970-4 TL-15 RECEIVING CHEST
 w/DEPOSITORY & 2063 HOUSING

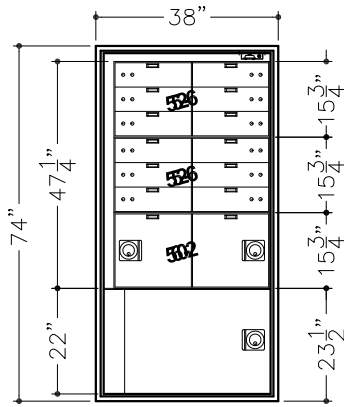
- NOTES:
1. LEFT SWING SHOWN, RIGHT SWING OPPOSITE.
 2. NON-GROUT OUTER HOUSING (P/N 2063) IS TO BE WELDED TO RECEIVING CHEST AND SHOULD NOT BE ENCASED IN CONCRETE.
 3. INTERIOR WALL OPENING AROUND OUTER HOUSING IS TO BE FILLED USING APPROPRIATE MATERIALS, BY OTHERS.
 4. SET-UP TO RECEIVE 500 SERIES LOCKERS (18" DEEP). FOR LOCKER INSERT OPTIONS, SEE SHEET 2 OF 2.



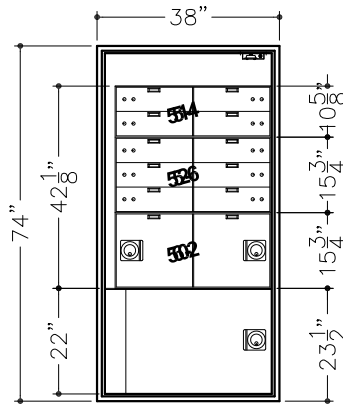
SIZE	DWG NO	DATE	SHEET
A	20111	12.01.2023	1 OF 2



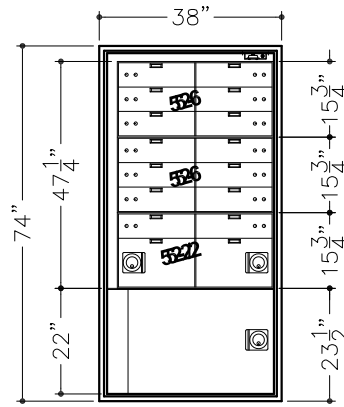
(6) 5x16 TELLER LOCKERS
(4) 15x16 CASH LOCKERS



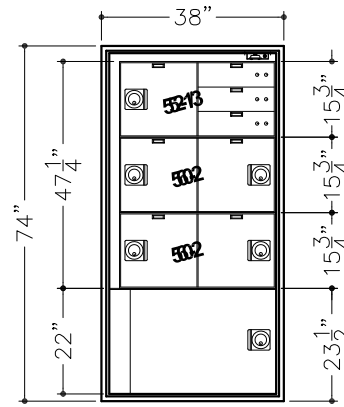
(12) 5x16 TELLER LOCKERS
(2) 15x16 CASH LOCKERS



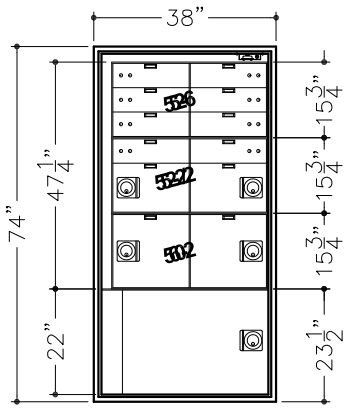
(10) 5x16 TELLER LOCKERS
(2) 15x16 CASH LOCKERS



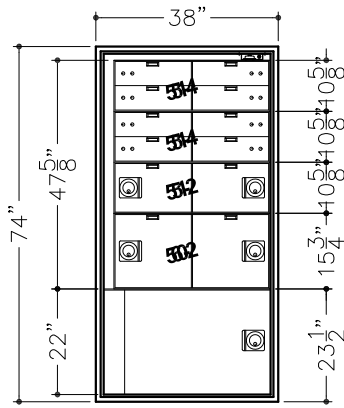
(14) 5x16 TELLER LOCKERS
(2) 10x16 CASH LOCKERS



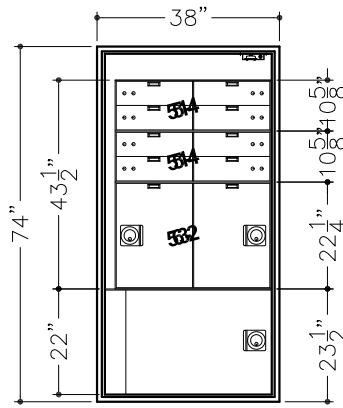
(3) 5x16 TELLER LOCKERS
(5) 15x16 CASH LOCKERS



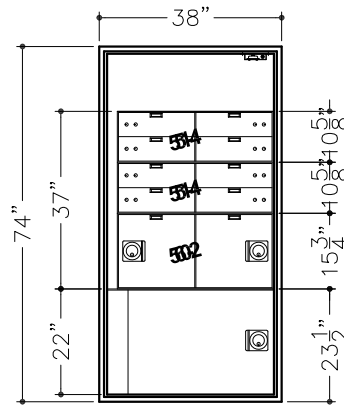
(8) 5x16 TELLER LOCKERS
(2) 10x16 CASH LOCKERS
(2) 15x16 CASH LOCKERS



(8) 5x16 TELLER LOCKERS
(2) 10x16 CASH LOCKERS
(2) 15x16 CASH LOCKERS



(8) 5x16 TELLER LOCKERS
(2) 22x16 CASH LOCKERS



(8) 5x16 TELLER LOCKERS
(2) 15x16 CASH LOCKERS

DO NOT SCALE

CAUTION!
ONLY PROFESSIONALS EXPERIENCED AND
QUALIFIED IN THE INSTALLATION OF SAFES
SHOULD INSTALL THIS PRODUCT.



American Vault[®] Waco Texas

PRODUCT APPLICATION DRAWING
MODEL 970-4 TL-15 RECEIVING CHEST
w/DEPOSITORY & 2063 HOUSING

SIZE	DWG NO	DATE	SHEET
A	20111	12.01.2023	2 OF 2