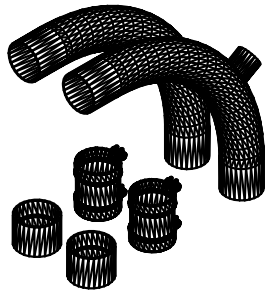
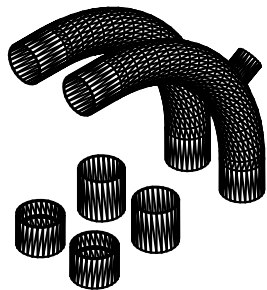


NOTES:

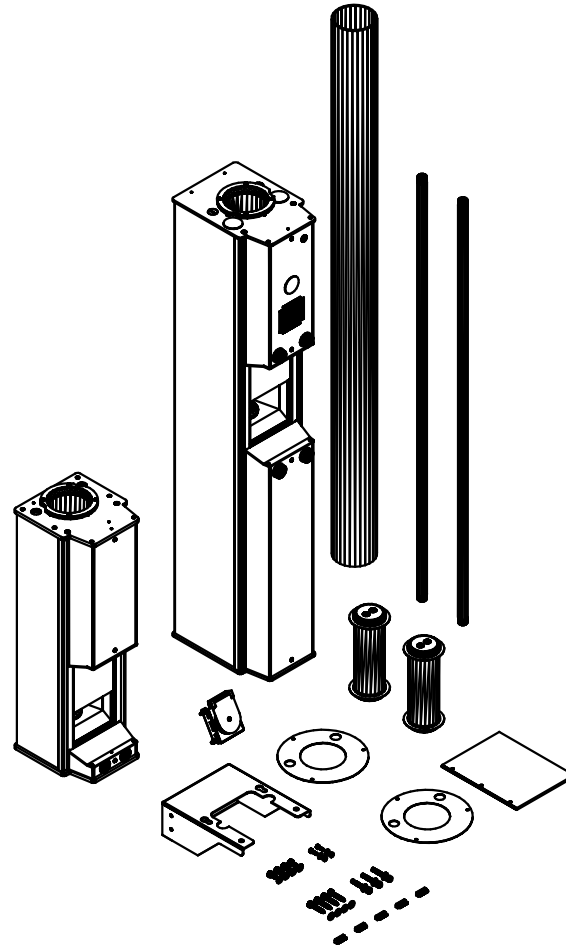
1. WHEN ORDERING SPECIFY SET-UP FOR PVC OR STL AND COLOR. SYSTEM MODEL 700-00 SET-UP FOR PVC TUBING OR SYSTEM MODEL 700-01 SET-UP FOR STEEL TUBING.
2. ORDER ADDITIONAL TUBING, BENDS, FITTINGS, ETC. AS REQUIRED.
3. AVAILABLE IN AVC NEUTRAL TAN OR BLACK w/STAINLESS.



ADDITIONAL COMPONENTS PROVIDED  
WHEN ORDERING  
SYSTEM MODEL 700-01  
SET-UP FOR STEEL TUBING



ADDITIONAL COMPONENTS PROVIDED  
WHEN ORDERING  
SYSTEM MODEL 700-00  
SET-UP FOR PVC TUBING



BASIC SYSTEM COMPONENTS

1	9030-0008	STL BEND w/REL 4-1/2 90D	1,2
1	9030-0004	STL BEND. 4-1/2 20R 90D	1,2
2	9030-0009	COUPLING 4-1/2" x 6	1,2
2	701-9708	ADAPTER, STL TO CLR	1,2
QTY	PART NO.	DESCRIPTION	NOTE
ADDITIONAL COMPONENTS PROVIDED w/STL SYSTEM (MODEL 700-01)			

1	9031-0003	PVC BEND, 4-1/2 20R 90D w/RELIEF	1,2
1	9031-0002	PVC BEND, 4-1/2 20R 90D	1,2
2	9031-0004	PVC COUPLING, 4-1/2"	1,2
2	701-9715	ADAPTER, PVC TO CLEAR	1,2
QTY	PART NO.	DESCRIPTION	NOTE
ADDITIONAL COMPONENTS PROVIDED w/PVC SYSTEM (MODEL 700-00)			

1	9030-0001	TUBING, CLEAR 10' LG	1,2
8	8180-0338	WASHER, FLAT 3/8"	1,2
2	8180-0325	WASHER, 1/4 FLAT	1,2
2	8150-0325	NUT, HEX 1/4-20	1,2
3	8097-0001	ANCHOR, 3/8x2-3/4 WEDGE	1,2
4	8096-3764	SCREW, HEX LAG 3/8x2-3/4	1,2
2	8095-3724	HHCS, 1/4-20x3/4	1,2
4	8095-3024	HHCS, 3/8-16x3/4	1,2
5	7428-0008	PLUG, 8 POS TERM BLOCK	1,2
2	4001-77AF	CARRIER, SIDE OPEN 4.29	1,2
2	702-9752	TRANSITION COVER PLATE	1,2
1	702-1000	FINAL ASSY, MODEL702 CT (COLOR SPECIFIC)	1,2,3
1	701-9707	BRACKET, WALL MOUNT (COLOR SPECIFIC)	1,2,3
1	701-1000	FINAL ASSY, 701 TT (COLOR SPECIFIC)	1,2,3
2	700-9911	CONDUIT (COLOR SPECIFIC)	1,2,3
1	700-3200	AIR BYPASS VALVE ASSY	1,2
1	700-1002	MANUAL, 700 RTS OP/INSTALL	1,2
QTY	PART NO.	DESCRIPTION	NOTE

SYSTEM COMPONENTS

DO NOT SCALE

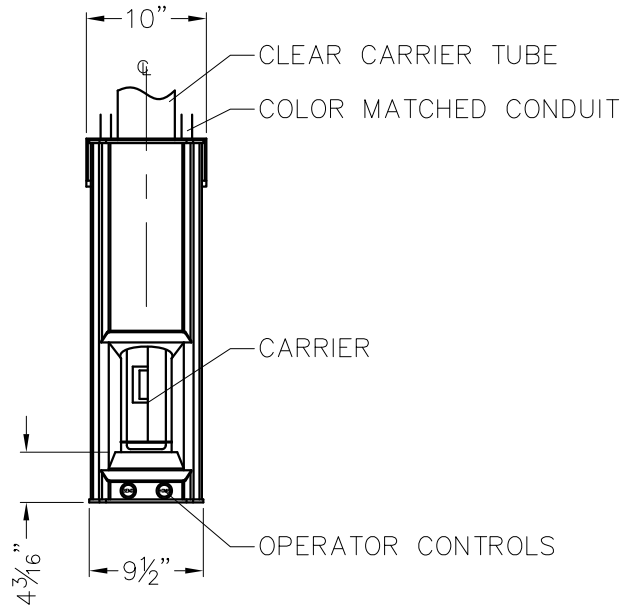
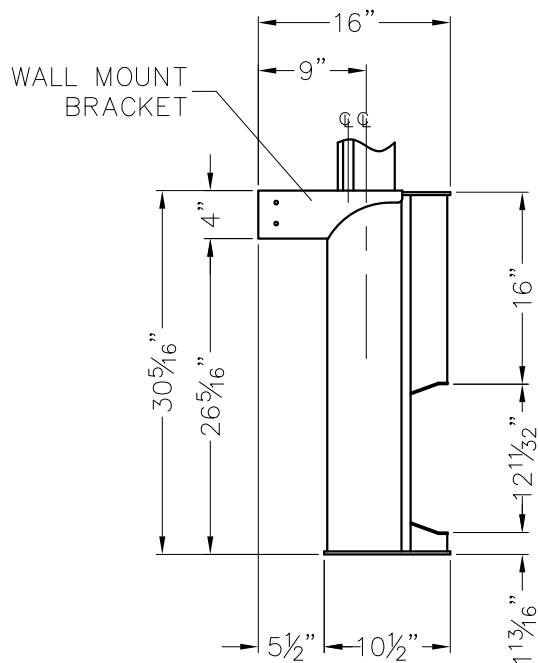
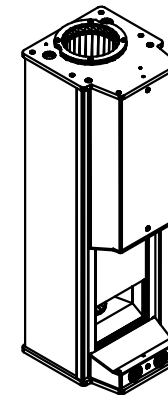
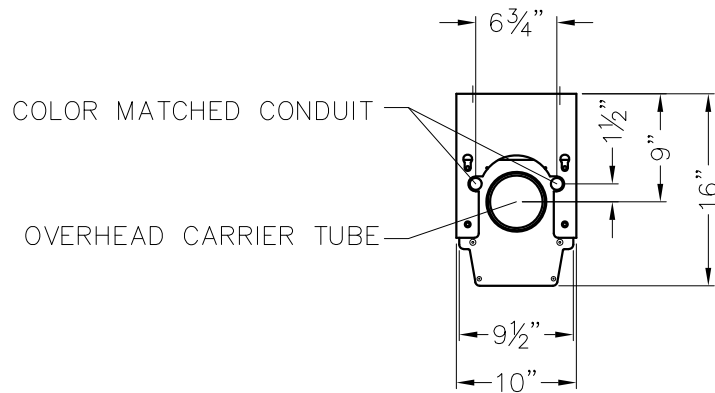
**American**  
**Vault**<sup>®</sup> Waco Texas

PRODUCT APPLICATION DRAWING  
700 SERIES RTS 4-1/2" UPSEND  
SYSTEM COMPONENTS

MODEL 700-00 PVC MODEL 700-01 STEEL



SIZE	DWG NO	DATE	SHEET
A	20089	12.01.2023	1 OF 5



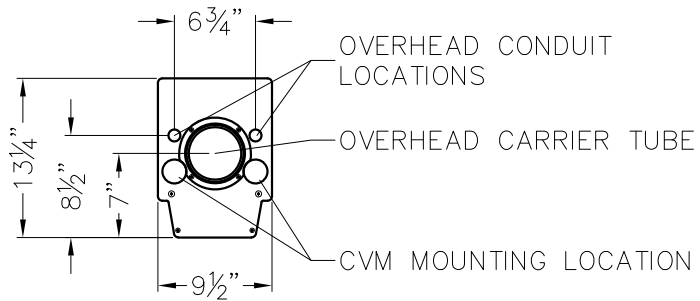
DO NOT SCALE

**American**  
**vault**® Waco Texas

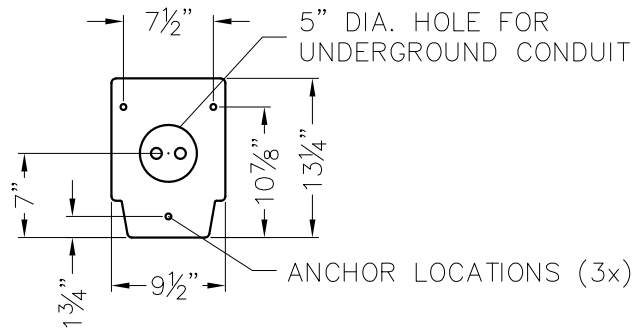
PRODUCT APPLICATION DRAWING  
 700 SERIES RTS 4-1/2" UPSEND  
 MODEL 701 TELLER TERMINAL DETAIL



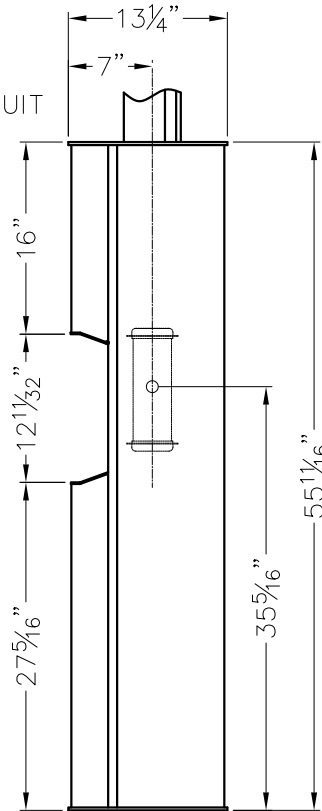
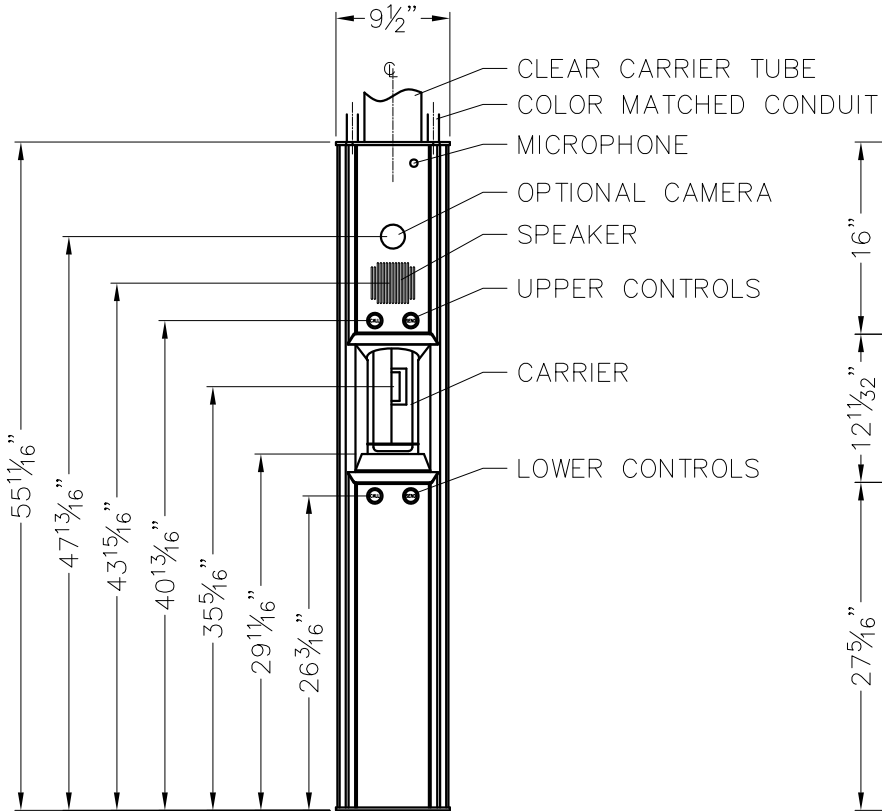
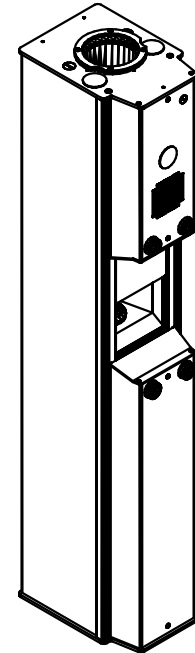
SIZE	DWG NO	DATE	SHEET
A	20089	12.01.2023	2 OF 5



TOP PLATE DETAIL



BASE PLATE DETAIL

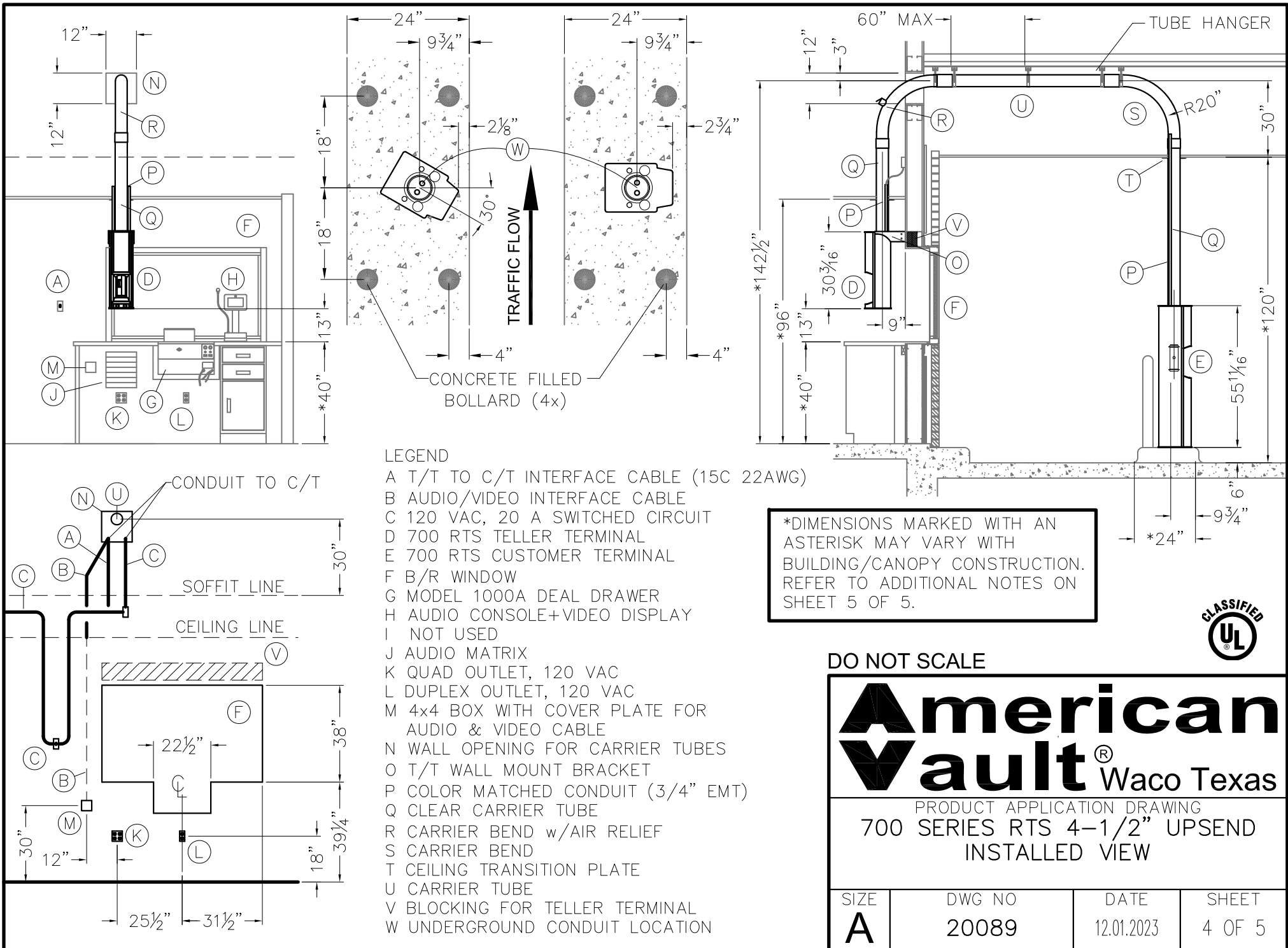


DO NOT SCALE

**American**  
**vault**® Waco Texas

PRODUCT APPLICATION DRAWING  
 700 SERIES RTS 4-1/2" UPSEND  
 MODEL 702 CUSTOMER TERMINAL DETAIL

SIZE	DWG NO	DATE	SHEET
<b>A</b>	20089	12.01.2023	3 OF 5



LEGEND

- A T/T TO C/T INTERFACE CABLE (15C 22AWG)
- B AUDIO/VIDEO INTERFACE CABLE
- C 120 VAC, 20 A SWITCHED CIRCUIT
- D 700 RTS TELLER TERMINAL
- E 700 RTS CUSTOMER TERMINAL
- F B/R WINDOW
- G MODEL 1000A DEAL DRAWER
- H AUDIO CONSOLE+VIDEO DISPLAY
- I NOT USED
- J AUDIO MATRIX
- K QUAD OUTLET, 120 VAC
- L DUPLEX OUTLET, 120 VAC
- M 4x4 BOX WITH COVER PLATE FOR AUDIO & VIDEO CABLE
- N WALL OPENING FOR CARRIER TUBES
- O T/T WALL MOUNT BRACKET
- P COLOR MATCHED CONDUIT (3/4" EMT)
- Q CLEAR CARRIER TUBE
- R CARRIER BEND w/AIR RELIEF
- S CARRIER BEND
- T CEILING TRANSITION PLATE
- U CARRIER TUBE
- V BLOCKING FOR TELLER TERMINAL
- W UNDERGROUND CONDUIT LOCATION

\*DIMENSIONS MARKED WITH AN ASTERISK MAY VARY WITH BUILDING/CANOPY CONSTRUCTION. REFER TO ADDITIONAL NOTES ON SHEET 5 OF 5.



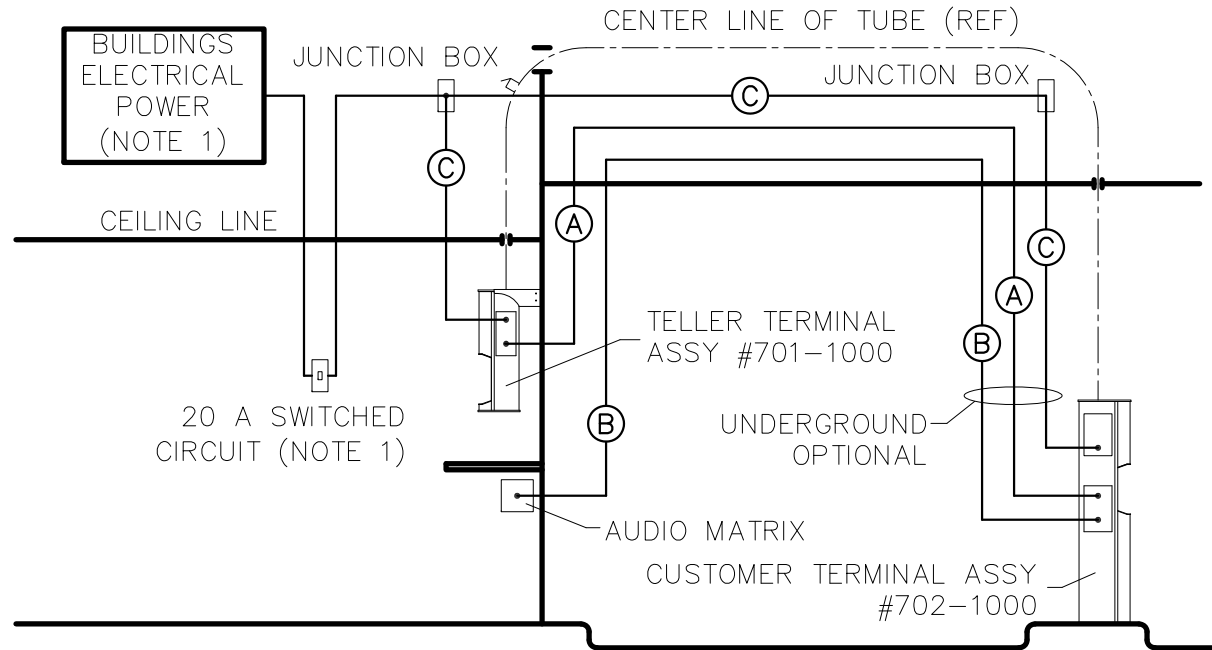
DO NOT SCALE

**American Vault**® Waco Texas

PRODUCT APPLICATION DRAWING  
700 SERIES RTS 4-1/2" UPSEND  
INSTALLED VIEW

SIZE	DWG NO	DATE	SHEET
<b>A</b>	20089	12.01.2023	4 OF 5

- (A) CUSTOMER/TELLER INTERFACE CABLE  
15 CONDUCTOR, 22GA.  
AVC PART #2009-0003
- (B) AUDIO INTERFACE CABLE  
(REFER TO AUDIO SPEC'S  
FOR CABLE TYPE)
- (C) 120 VAC, 60Hz, 1PH, 20 AMP  
DEDICATED SWITCHED BRANCH CIRCUIT  
(NOTE 1)



NOTES:

1. THE BRANCH CIRCUITS SUPPLYING THE 700 SERIES RTS MUST BE A DEDICATED CIRCUIT USING INDIVIDUAL HOT, NEUTRAL AND GROUND CONDUCTORS.
2. NEITHER THE CONDUIT NOR THE NEUTRAL SHOULD BE SHARED WITH OTHER CIRCUITS.
3. CONDUIT MUST NOT BE USED IN PLACE OF GROUND WIRE.
4. CUSTOMER UNIT LOAD IS 9.0 AMPS. TELLER UNIT LOAD IS 1.0 AMP. NO OTHER LOADS ARE TO BE CONNECTED TO THIS CIRCUIT.
5. ONE BREAKER IS TO SHUT DOWN ONE SYSTEM (CUSTOMER & TELLER UNIT) ONLY.
6. CANOPY AND SOFFIT DIMENSIONS SHOWN ARE REQUIRED TO FULLY ENCLOSE BEND AND TUBE TRANSITION. VARYING FROM THESE DIMENSIONS IS ACCEPTABLE, HOWEVER THE TRANSITION WILL BE EXPOSED.
7. THE RECOMMENDED MINIMUM ISLAND WIDTH IS 24". AN ISLAND WIDTH LESS THAN THIS CAN BE USED WITH PROPER PROTECTIVE BOLLARDS AND OR GUARDS.



DO NOT SCALE

**American**  
**vault**<sup>®</sup> Waco Texas

PRODUCT APPLICATION DRAWING  
700 SERIES RTS 4-1/2" UPSEND  
HOOK-UP DETAIL

SIZE	DWG NO	DATE	SHEET
<b>A</b>	20089	12.01.2023	5 OF 5