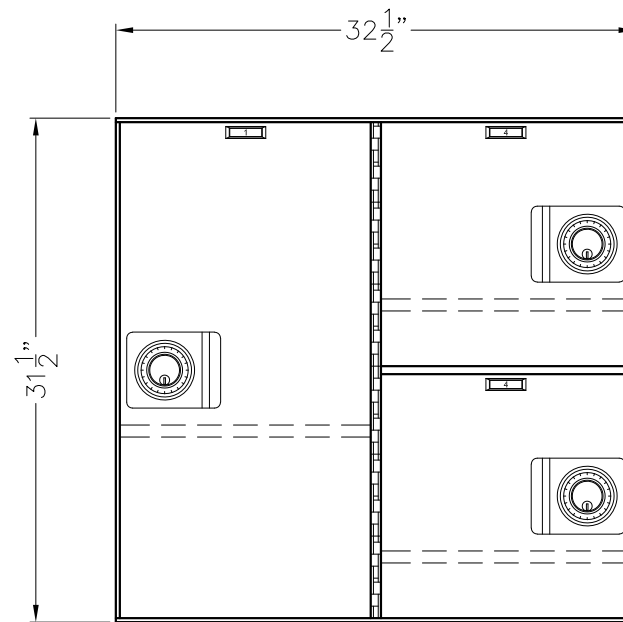


**MODEL 561-2**  
 (2) 31x16 OPENINGS  
 WITH ADJ SHELVES



**MODEL 561-3**  
 (1) 31x16 OPENING  
 WITH ADJ SHELF  
 (2) 15x16 OPENINGS  
 WITH ADJ SHELVES

- SECTION SIZE: 31-1/2" HIGH x 32-1/2" WIDE x 18" OR 24" DEEP
- CONSTRUCTION: REINFORCED COATED STEEL CASE, ANODIZED ALUMINUM FRONT FRAME
- COMBINATION LOCKS: GROUP 2, 3 WHEEL, WITH KEY-LOCKING DIAL AND RING
- SAFE DEPOSIT LOCKS: UNIVERSAL, DOUBLE NOSE, FIXED/FIXED, FINISHED IN BRASS
- HINGES: FRAME INTERLOCKING, FINISHED IN BRASS
- DOORS: MACHINED FROM SOLID ALUMINUM ALLOY, FINISHED WITH STAINLESS STEEL
- NUMBER STRIPS: BLACK CHARACTERS ON A BRASS TONE BACKGROUND SET IN A FRAME WHICH COMPLEMENTS THE STAINLESS STEEL DOOR FRONT PLATE

DO NOT SCALE

**American**  
**vault**® Waco Texas

PRODUCT APPLICATION DRAWING  
 500 SERIES LOCKERS  
 MODEL 561 (31-1/2")

SIZE	DWG NO	DATE	SHEET
<b>A</b>	20061-561	12.01.2023	1 OF 1