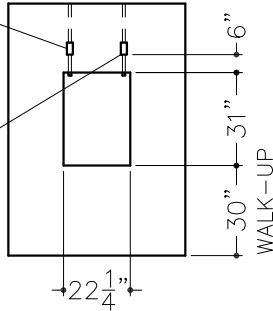


2 X 4 JUNCTION BOX WITH  
3/4" CONDUIT & COVER  
FOR 120V 15A SERVICE  
TO DEPOSITORY SIGN

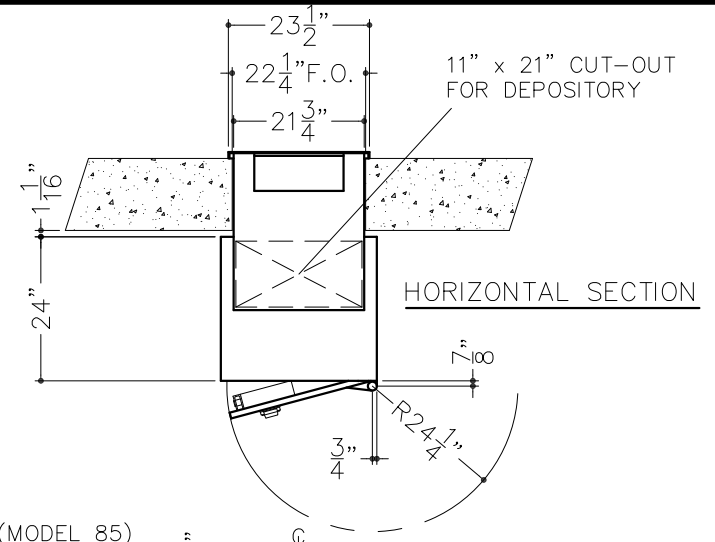
2 X 4 JUNCTION BOX WITH  
3/4" CONDUIT & COVER  
FOR ALARM CONNECTION

FINISHED FLOOR LINE



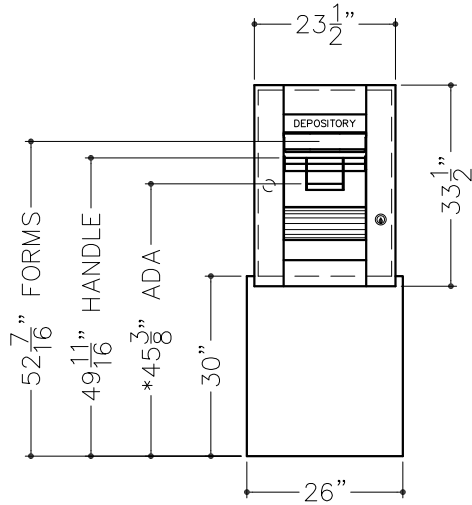
**CAUTION!**  
ONLY PROFESSIONALS EXPERIENCED AND  
QUALIFIED IN THE INSTALLATION OF SAFES  
SHOULD INSTALL THIS PRODUCT.

**THIS PRODUCT SHOULD BE INSTALLED  
UNDER A WELL LIT CANOPY**



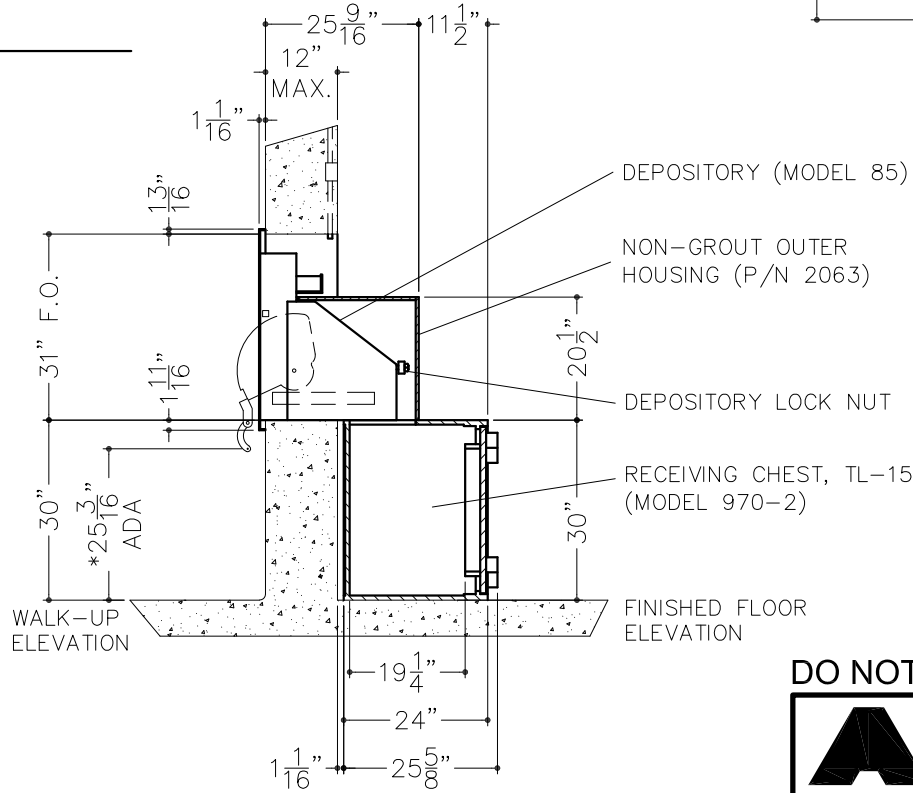
HORIZONTAL SECTION

FINISHED OPENING  
INTERIOR ELEVATION



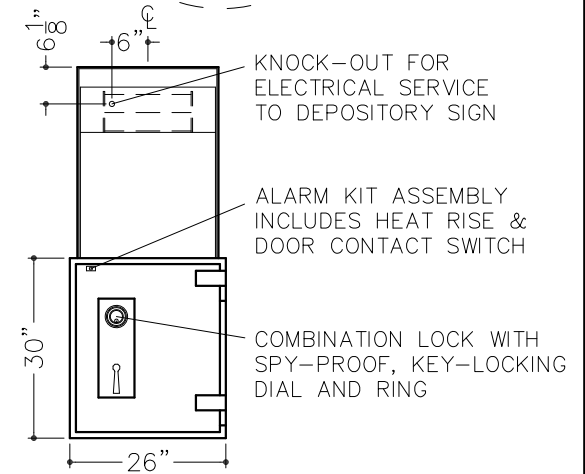
EXTERIOR ELEVATION

\*ADA HANDLE CLOSED POSITION



VERTICAL SECTION

\*ADA HANDLE OPEN POSITION



INTERIOR ELEVATION

DO NOT SCALE

**American**  
**Vault**® Waco Texas

PRODUCT APPLICATION DRAWING  
MODEL 970-2 TL-15 RECEIVING CHEST  
w/DEPOSITORY & 2063 HOUSING

NOTES:

1. RIGHT SWING SHOWN, LEFT SWING OPPOSITE.
2. NON-GROUT OUTER HOUSING (P/N 2063) IS TO BE WELDED TO RECEIVING CHEST AND SHOULD NOT BE ENCASED IN CONCRETE.
3. INTERIOR WALL OPENING AROUND OUTER HOUSING IS TO BE FILLED USING APPROPRIATE MATERIALS, BY OTHERS.

APPROXIMATE WEIGHTS:  
RECEIVING CHEST: 675 LBS.  
DEPOSITORY: 280 LBS.  
HOUSING: 325 LBS.



SIZE	DWG NO	DATE	SHEET
A	20044	12.01.2023	1 OF 1