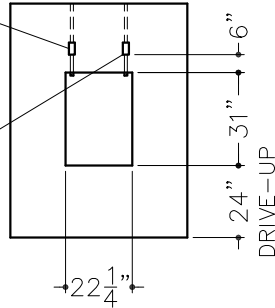


2 X 4 JUNCTION BOX WITH
3/4" CONDUIT & COVER
FOR 120V 15A SERVICE
TO DEPOSITORY SIGN

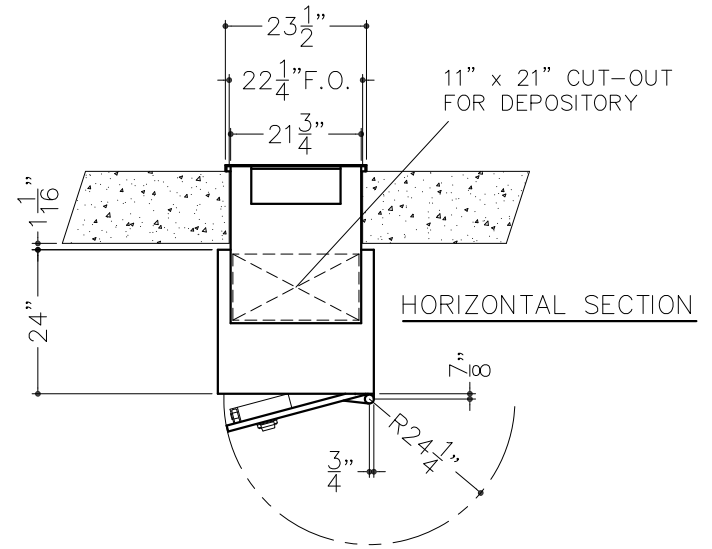
2 X 4 JUNCTION BOX WITH
3/4" CONDUIT & COVER
FOR ALARM CONNECTION

FINISHED FLOOR LINE



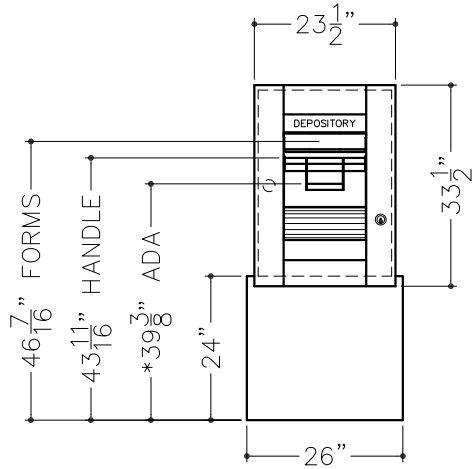
CAUTION!
ONLY PROFESSIONALS EXPERIENCED AND
QUALIFIED IN THE INSTALLATION OF SAFES
SHOULD INSTALL THIS PRODUCT.

**THIS PRODUCT SHOULD BE INSTALLED
UNDER A WELL LIT CANOPY**



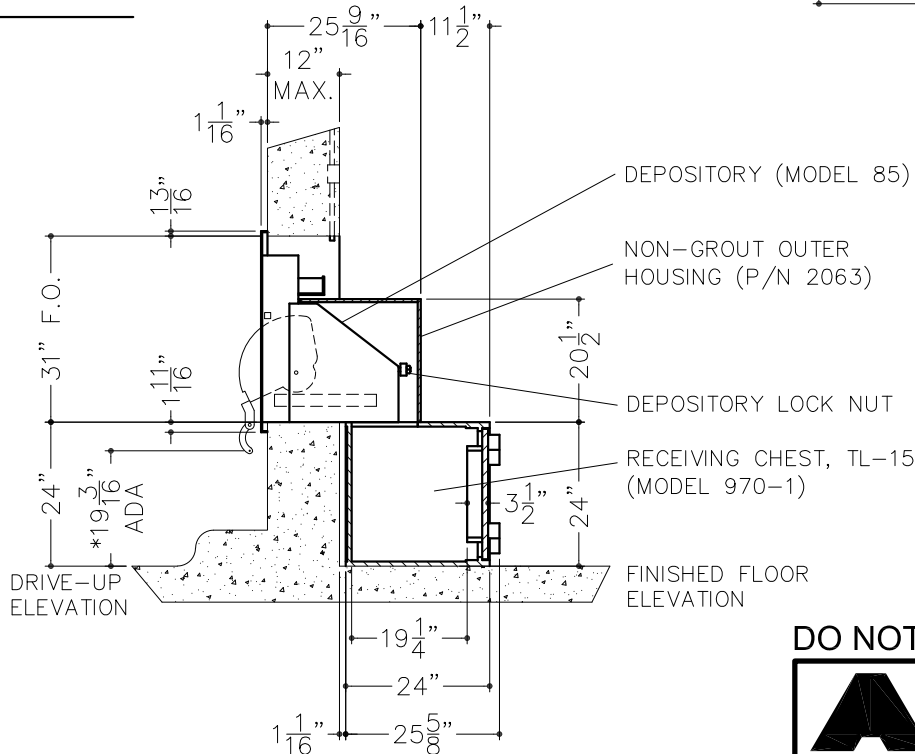
HORIZONTAL SECTION

FINISHED OPENING
INTERIOR ELEVATION



EXTERIOR ELEVATION

*ADA HANDLE CLOSED POSITION



VERTICAL SECTION

*ADA HANDLE OPEN POSITION

DEPOSITORY (MODEL 85)

NON-GROUT OUTER
HOUSING (P/N 2063)

DEPOSITORY LOCK NUT

RECEIVING CHEST, TL-15
(MODEL 970-1)

FINISHED FLOOR
ELEVATION

KNOCK-OUT FOR
ELECTRICAL SERVICE
TO DEPOSITORY SIGN

ALARM KIT ASSEMBLY
INCLUDES HEAT RISE &
DOOR CONTACT SWITCH

COMBINATION LOCK WITH
SPY-PROOF, KEY-LOCKING
DIAL AND RING

DO NOT SCALE INTERIOR ELEVATION

NOTES:

1. RIGHT SWING SHOWN, LEFT SWING OPPOSITE.
2. NON-GROUT OUTER HOUSING (P/N 2063) IS TO BE WELDED TO RECEIVING CHEST AND SHOULD NOT BE ENCASED IN CONCRETE.
3. INTERIOR WALL OPENING AROUND OUTER HOUSING IS TO BE FILLED USING APPROPRIATE MATERIALS, BY OTHERS.

APPROXIMATE WEIGHTS:
RECEIVING CHEST: 575 LBS.
DEPOSITORY: 280 LBS.
HOUSING: 325 LBS.



American
Vault® Waco Texas

PRODUCT APPLICATION DRAWING
MODEL 970-1 TL-15 RECEIVING CHEST
w/DEPOSITORY & 2063 HOUSING

SIZE	DWG NO	DATE	SHEET
A	20043	12.01.2023	1 OF 1