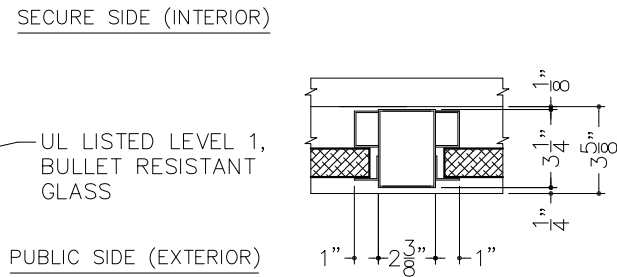
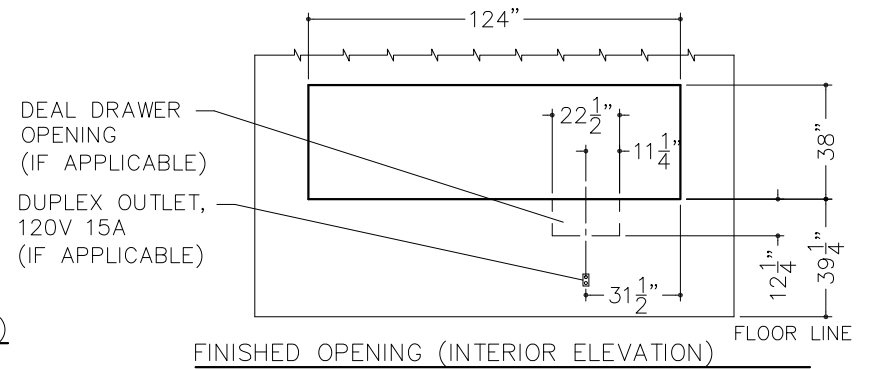


SECTION A-A (VERTICAL FRAME)

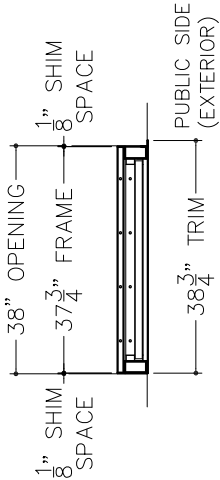


SECTION B-B (CENTER MULLION)

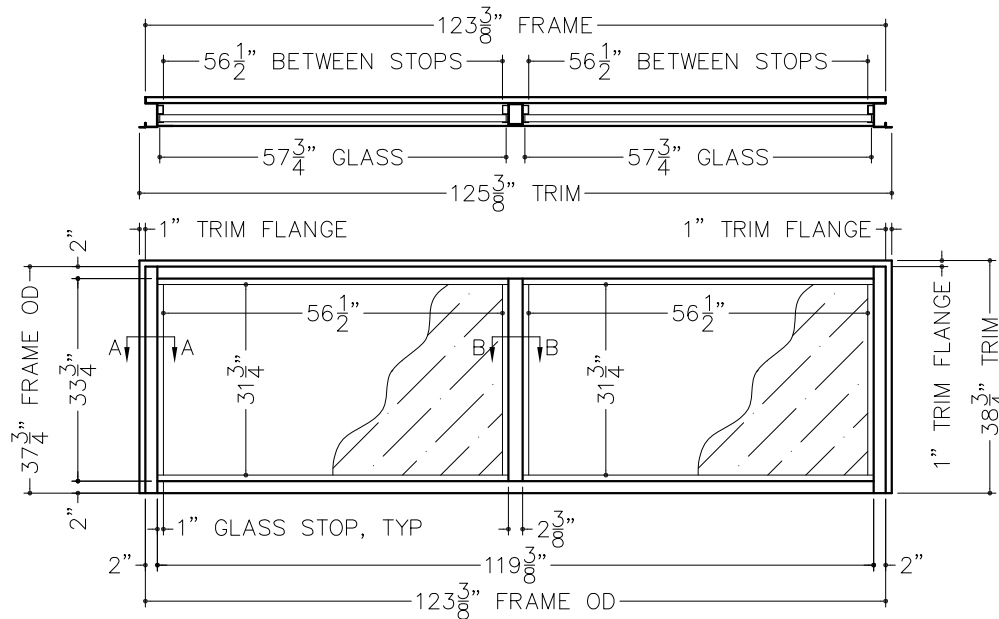


FINISHED OPENING (INTERIOR ELEVATION)

FLOOR LINE



SIDE ELEVATION



EXTERIOR ELEVATION

DO NOT SCALE



NOTES:

1. UL LISTED LEVEL 1, CLEAR, 1-3/16" LAMINATED BULLET RESISTANT GLASS.
2. WELDED, BRUSHED STAINLESS STEEL FRAME WITH EXTERIOR TRIM FLANGE ON TOP & SIDES, ANCHOR FLANGE ON INTERIOR.
3. WINDOW SHOULD BE INSTALLED UNDER A PROTECTIVE CANOPY.
4. APPLY SEALANT TO EXTERIOR TRIM FLANGE.
5. REFER TO DRAWING #20174 FOR ADDITIONAL INSTALLATION DETAILS.

APPROXIMATE WEIGHT: 650 LBS.

American Vault® Waco Texas

PRODUCT APPLICATION DRAWING
VISION WINDOW, 3'H x 10'W
LEVEL 1 BULLET RESISTANT

SIZE	DWG NO	DATE	SHEET
A	20041	12.01.2023	1 OF 1