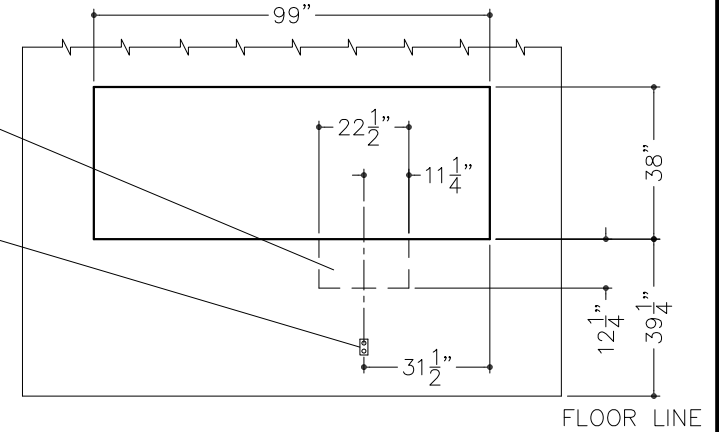


DEAL DRAWER
OPENING
(IF APPLICABLE)

DUPLEX OUTLET,
120V 15A
(IF APPLICABLE)



FINISHED OPENING (INTERIOR ELEVATION)

NOTES:

1. UL LISTED LEVEL 1, CLEAR, 1-3/16" LAMINATED BULLET RESISTANT GLASS.
2. WELDED, BRUSHED STAINLESS STEEL FRAME WITH EXTERIOR TRIM FLANGE ON TOP & SIDES, ANCHOR FLANGE ON INTERIOR.
3. WINDOW SHOULD BE INSTALLED UNDER A PROTECTIVE CANOPY.
4. APPLY SEALANT TO EXTERIOR TRIM FLANGE.
5. REFER TO DRAWING #20174 FOR ADDITIONAL INSTALLATION DETAILS.

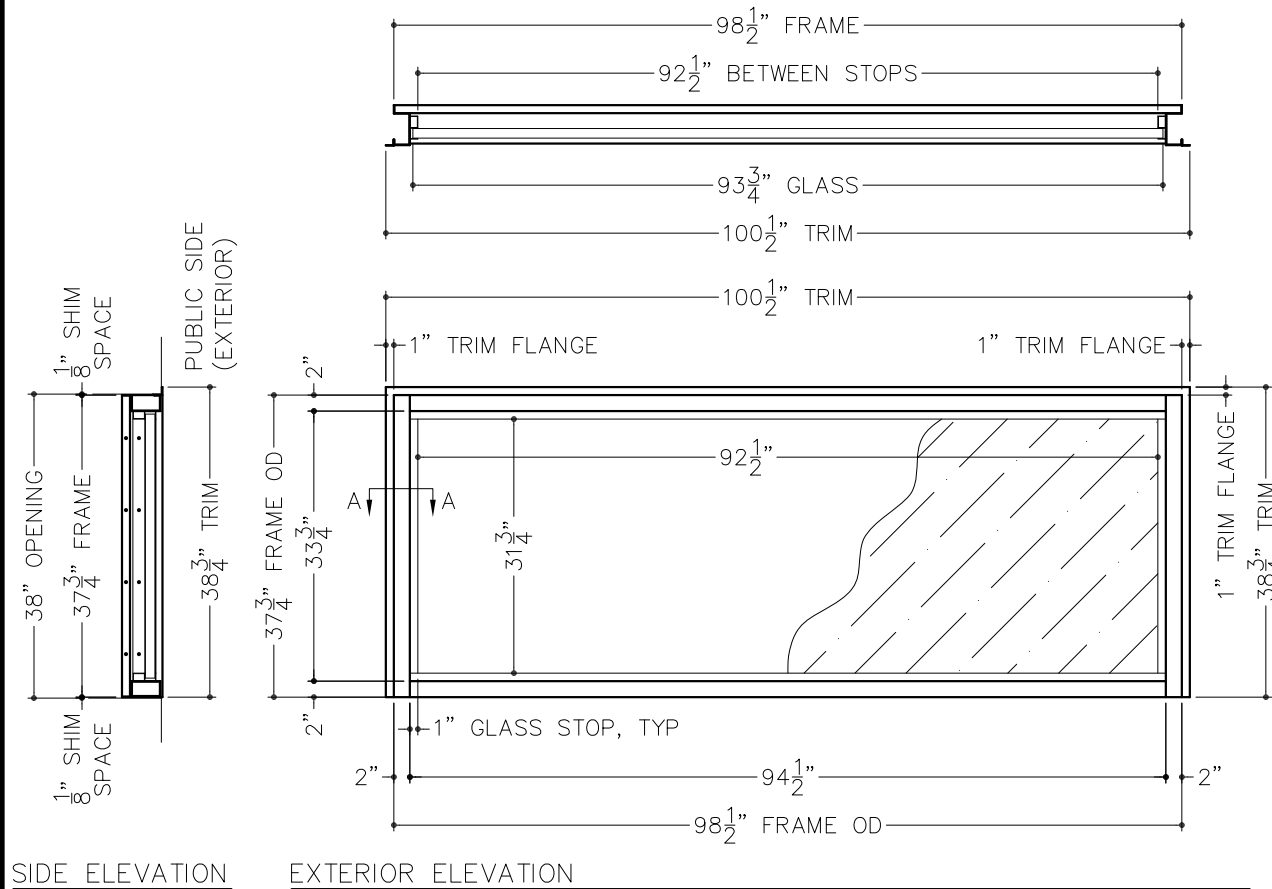
APPROXIMATE WEIGHT: 500 LBS.



DO NOT SCALE

American Vault® Waco Texas

PRODUCT APPLICATION DRAWING
VISION WINDOW, 3'H x 8'W
LEVEL 1 BULLET RESISTANT



SIDE ELEVATION

EXTERIOR ELEVATION

SIZE	DWG NO	DATE	SHEET
A	20040	12.01.2023	1 OF 1