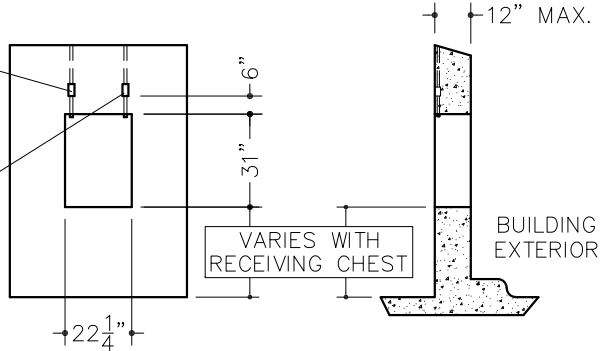


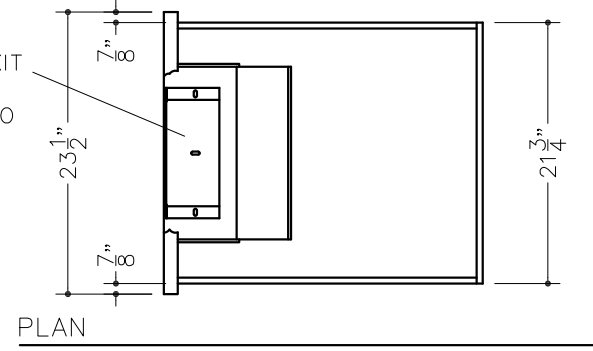
2 X 4 JUNCTION BOX WITH  
3/4" CONDUIT & COVER  
FOR 120V 15A SERVICE  
TO DEPOSITORY SIGN

2 X 4 JUNCTION BOX WITH  
3/4" CONDUIT & COVER  
FOR ALARM CONNECTION

FINISHED FLOOR LINE



OPTIONAL CAMERA MOUNT KIT  
REF AVC DWG #20150  
(SET-UP TO RECEIVE SANYO  
CUBE CAMERA AND LENS)

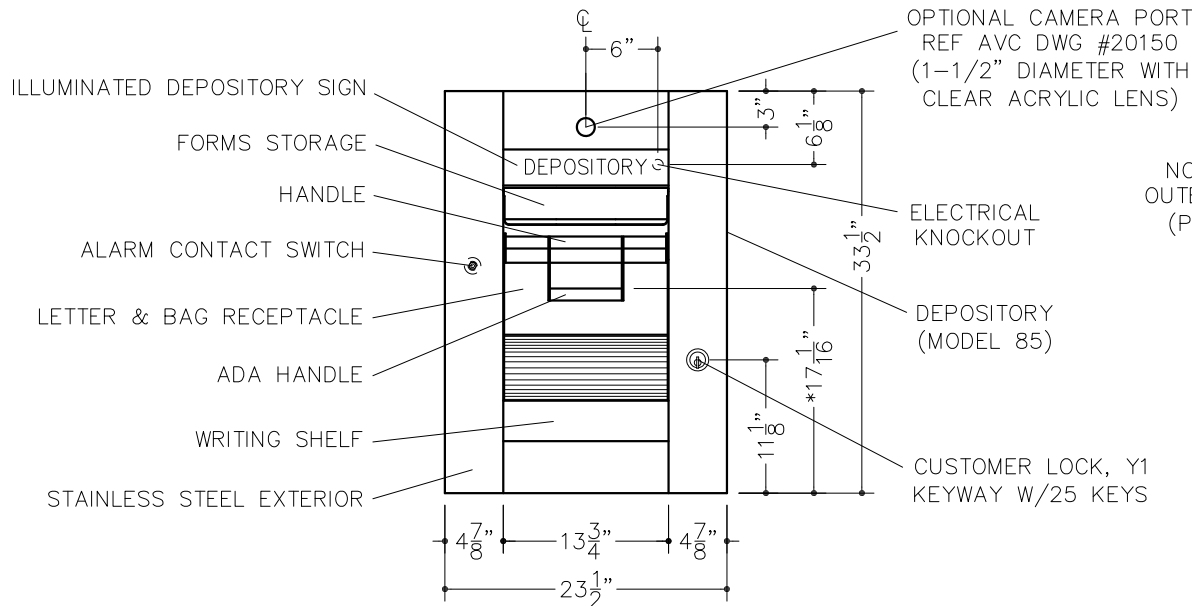


PLAN

FINISHED OPENING

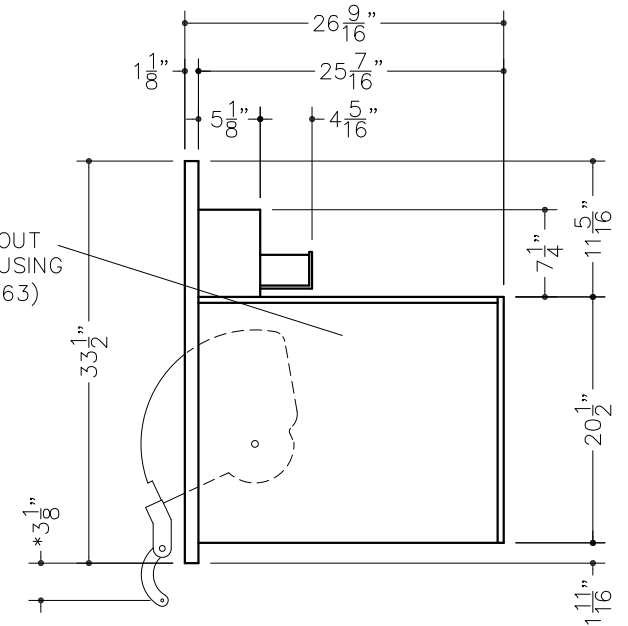
VERTICAL SECTION

INTERIOR ELEVATION



EXTERIOR ELEVATION (\*ADA HANDLE CLOSED POSITION)

NON-GROUT  
OUTER HOUSING  
(P/N 2063)



DO NOT SCALE SIDE ELEVATION

NOTES:

1. OUTER HOUSING (P/N 2063, SHOWN) IS FOR NON-GROUT INSTALLATION.
2. WELD HOUSING TO RECEIVING CHEST (NOT SHOWN) BEFORE INSTALLATION.
3. HOUSING SHOULD NOT BE ENCASED IN CONCRETE.

APPROXIMATE WEIGHTS:  
DEPOSITORY: 280 LBS.  
HOUSING: 325 LBS.

THIS PRODUCT SHOULD BE INSTALLED UNDER A WELL LIT CANOPY



# American Vault<sup>®</sup> Waco Texas

PRODUCT APPLICATION DRAWING  
2000 SERIES DEPOSITORY  
WITH NON-GROUT OUTER HOUSING

SIZE	DWG NO	DATE	SHEET
A	20006	12.01.2023	1 OF 1