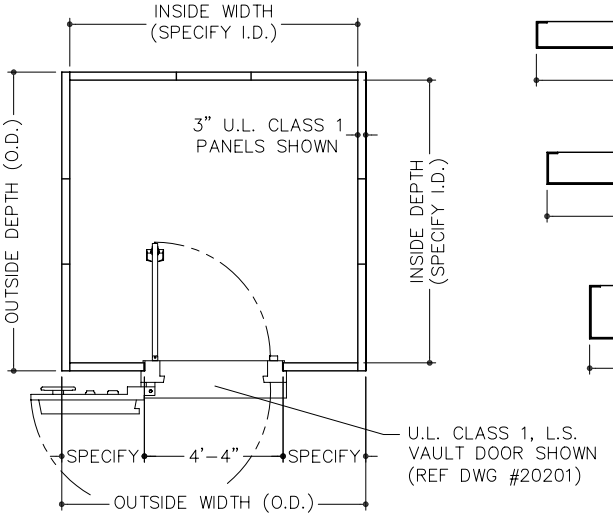
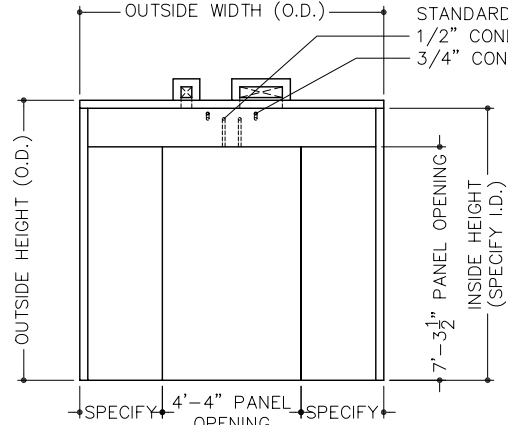
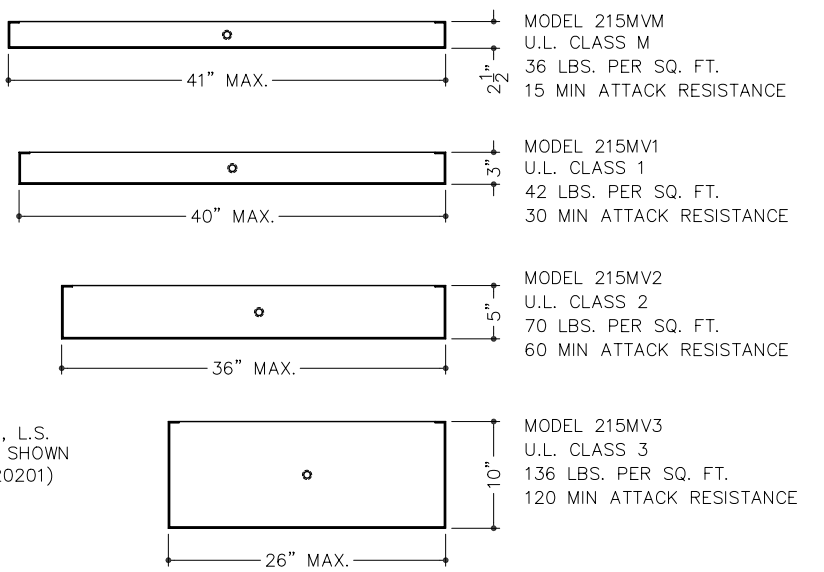


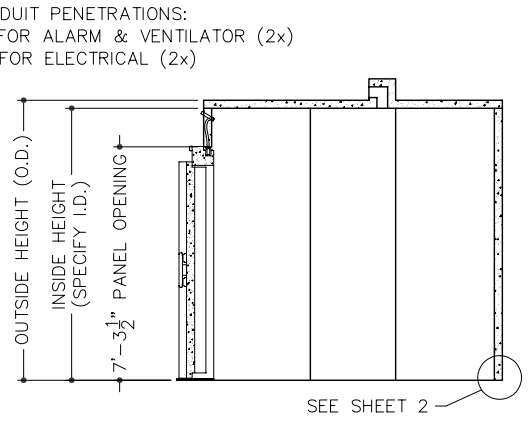
PLAN (ROOF PANELS)



PLAN (WALLS PANELS)



FRONT ELEVATION



SECTION THRU DOOR OPENING & HVAC

**CAUTION!**  
**PRIOR TO INSTALLATION READ VAULT PANEL INSTALLATION PROCEDURES AND VAULT DOOR INSTALLATION MANUAL PROVIDED. ONLY PROFESSIONALS EXPERIENCED AND QUALIFIED IN THE INSTALLATION OF MODULAR VAULTS AND VAULT DOORS SHOULD INSTALL THIS PRODUCT.**

- WHEN SPECIFYING VAULT PROVIDE THE FOLLOWING:
- UL CLASS (M, 1, 2, OR 3)
  - NUMBER OF SIDES (5 OR 6)
  - INSIDE DIMENSIONS (WIDTH x DEPTH x HEIGHT)
  - VAULT DOOR LOCATION & SWING (LEFT OR RIGHT)
  - HVAC PORT LOCATION (IF APPLICABLE)
  - SPRINKLER PORT LOCATION (IF APPLICABLE)

EXAMPLE:  
 UL CLASS 1, 5 SIDED VAULT,  
 (I.D.=9'-0"W x 12'-0"D x 8'-6"H)  
 LS DOOR CENTERED ON 9'-0" WALL



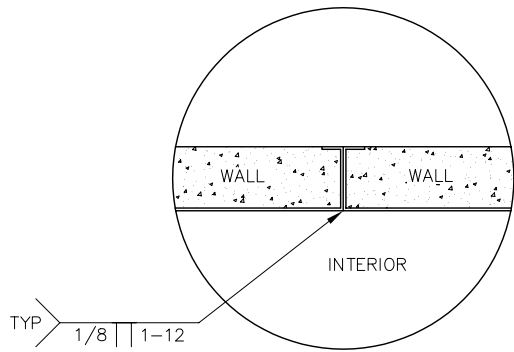
NOTES:  
 1. PANELS ARE CONSTRUCTED OF FIBER REINFORCED CONCRETE AND REBAR IN A FIVE-SIDED STEEL PAN. STEEL PAN FORMS INTERIOR OF VAULT WITH EXPOSED CONCRETE ON EXTERIOR.  
 2. ALL INSIDE ADJOINING SURFACES TO BE WELDED WITH 1" OF 1/8" WELD PER FOOT OF LENGTH.  
 3. ALL UTILITY CONNECTIONS ARE BY OTHERS.  
 4. STRUCTURAL DESIGN OF FLOOR AND SUPPORTING FOUNDATION BY OTHERS.  
 5. SEISMIC CALCULATIONS ARE BY OTHERS, IF APPLICABLE.  
 6. PANELS ARE SHIPPED "KNOCK-DOWN" TO BE ERRECT AT JOB SITE PER SPECIFICATIONS FURNISHED.  
 7. FLOOR, CEILING, & WALL COVERINGS ARE BY OTHERS, WHERE APPLICABLE. APPROPRIATE UNDERLAYMENT MATERIAL APPLIED PRIOR TO FINAL FLOOR COVERING MAY BE REQUIRED FOR A SMOOTH FLOOR ON INSTALLATIONS THAT INCLUDE FLOOR PANELS.  
 8. ALL DIMENSIONS ARE NOMINAL. TOLERANCES OF 1/32" PER FOOT OF LENGTH ARE TO BE ALLOWED.

NOTES CON'T:  
 9. THIS STRUCTURE IS NOT DESIGNED FOR ADDITIONAL LOADS APPLIED TO THE ROOF.  
 10. ELECTRICIAN IS TO INSTALL 120V, 10A DUPLEX OUTLET ABOVE DOOR FOR VENTILATOR SUPPLY.  
 11. IT IS THE RESPONSIBILITY OF THE OWNER/ARCHITECT/GENERAL CONTRACTOR TO ENSURE THAT ALL LOCAL, STATE, & FEDERAL ADA REGULATIONS ARE IN COMPLIANCE. FLOOR FINISH TO THE VAULT DOOR THRESHOLD IS THE RESPONSIBILITY OF THE GENERAL CONTRACTOR.  
 12. PANELS ARE CAST WITH LIFT POINTS AT EACH END. REQUEST (P/N 9040-0002) 3/4" T-12 LIFTING SWIVEL & (P/N 9040-0006) 3/4"x 4" COIL BOLT FOR PROPER RIGGING ATTACHMENT.  
 13. VAULT DOOR REQUIRES INSTALL KIT FOR PROPER INSTALLATION. REQUEST (P/N 102-2200).

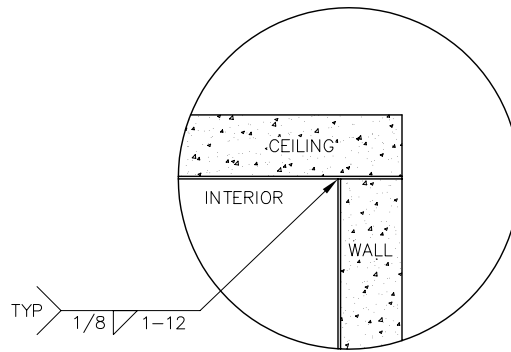


PRODUCT APPLICATION DRAWING  
 215 SERIES BURGLARY RESISTANT  
 MODULAR VAULT PANELS

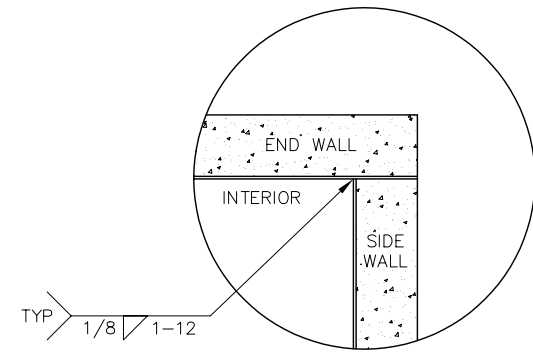
SIZE	DWG NO	DATE	SHEET
A	20198	05.02.2016	1 OF 2



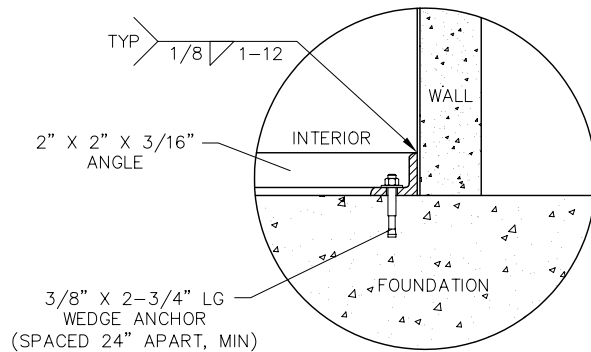
WALL TO WALL CONNECTION



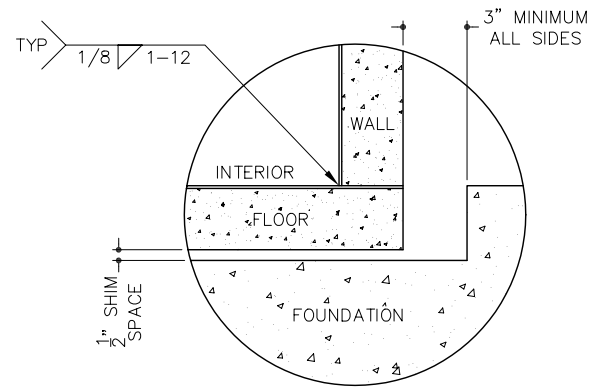
WALL TO CEILING CONNECTION



WALL TO WALL CORNER CONNECTION



WALL TO FOUNDATION CONNECTION  
FIVE SIDED VAULT (ANGLES & ANCHORS PROVIDED)



WALL TO FLOOR CONNECTION  
SIX SIDED VAULT WITH PIT



**CAUTION !**  
PRIOR TO INSTALLATION READ VAULT PANEL INSTALLATION PROCEDURES AND VAULT DOOR INSTALLATION MANUAL PROVIDED. ONLY PROFESSIONALS EXPERIENCED AND QUALIFIED IN THE INSTALLATION OF MODULAR VAULTS AND VAULT DOORS SHOULD INSTALL THIS PRODUCT.

**American Vault<sup>®</sup>.us**

PRODUCT APPLICATION DRAWING  
215 SERIES BURGLARY RESISTANT  
MODULAR VAULT PANELS

SIZE	DWG NO	DATE	SHEET
<b>A</b>	20198	05.02.2016	2 OF 2