

NOTES:

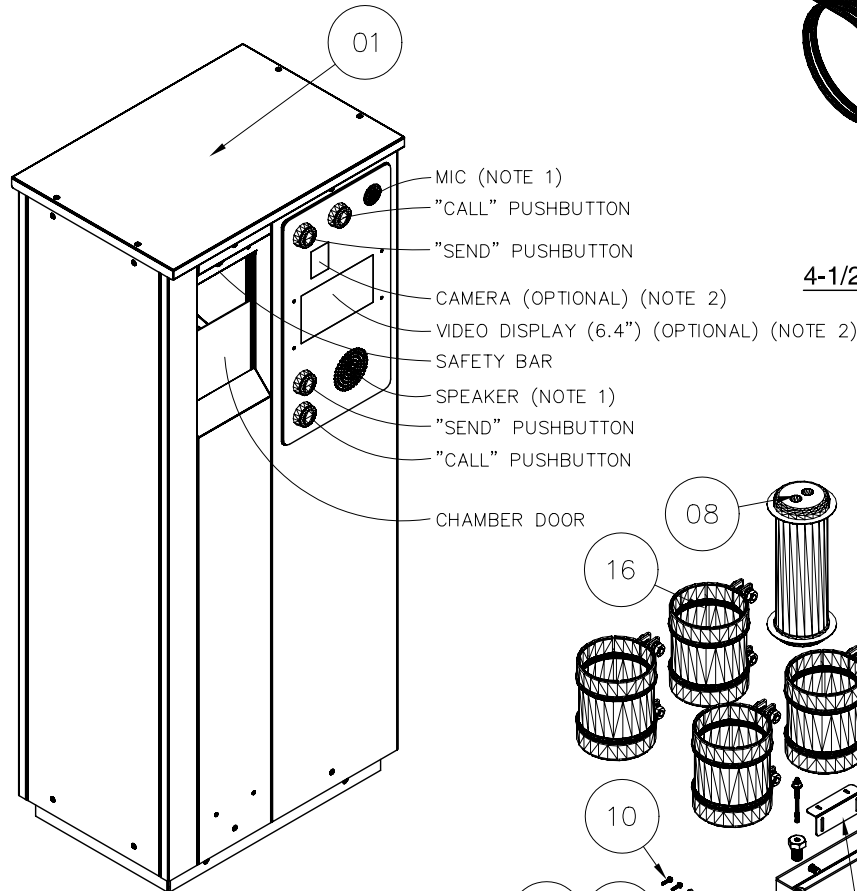
1. SPECIFY AUDIO SET-UP. (EX: AUDIO AUTHORITY).
2. CUSTOMER UNIT WILL ACCEPT CAMERA AND/OR DISPLAY. ORDER SEPERATELY.
3. TUBE IS CUT TO LENGTH AS REQUIRED FOR TRANSITION OF UNDERGROUND TUBING TO CARRIER TUBE INSIDE TELLER & CUSTOMER UNIT.

745 SERIES TUBE SYSTEM

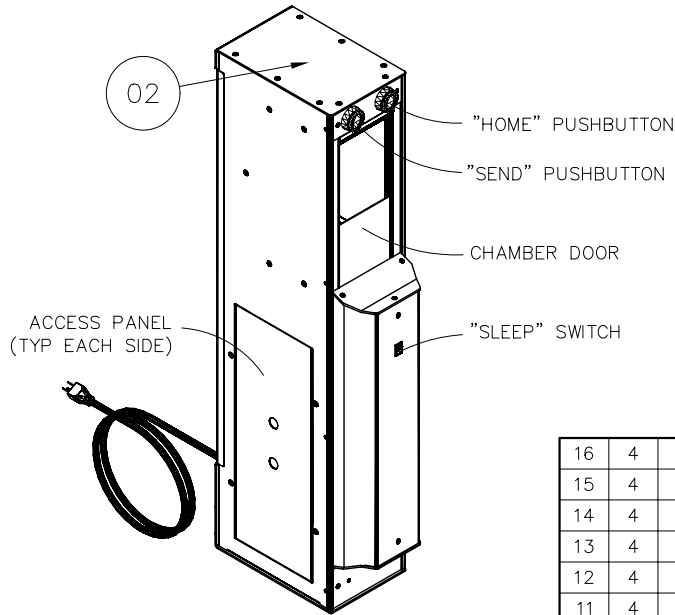


BANK EQUIPMENT
AS TO ELECTRICAL FIRE, SHOCK
AND CASUALTY HAZARDS ONLY
IN ACCORDANCE WITH STANDARD UL 60950-1
80NN

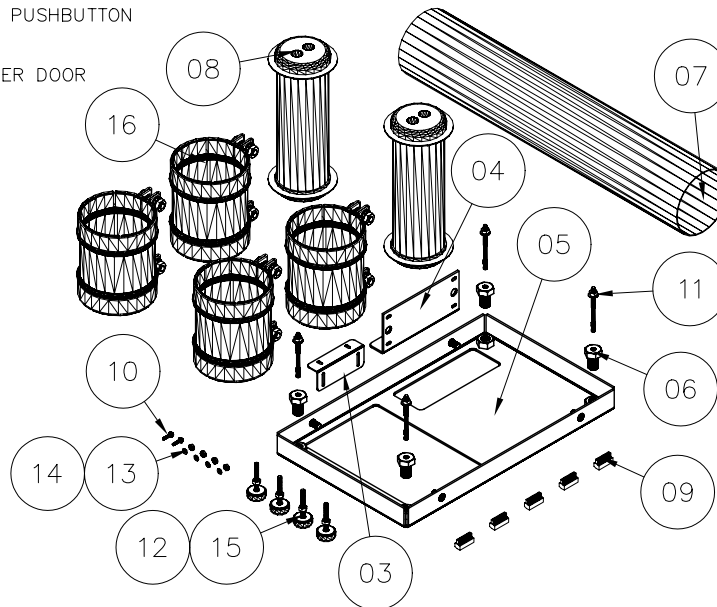
E216338



MODEL 745DCU
4-1/2" DOWNSEND CUSTOMER UNIT
SHOWN



MODEL 745DTU
4-1/2" DOWNSEND TELLER UNIT



SYSTEM MODEL NUMBER DESCRIPTIONS

SYSTEM MODEL 745DDS
1ea. MODEL 745DTU 4-1/2" DOWNSEND TELLER UNIT
1ea. MODEL 745DCUS 4-1/2" DOWNSEND CUSTOMER UNIT WITH 6" TO 9" RECOMMENDED TUBE SETBACK.

SYSTEM MODEL 745DDM
1ea. MODEL 745DTU 4-1/2" DOWNSEND TELLER UNIT
1ea. MODEL 745DCUM 4-1/2" DOWNSEND CUSTOMER UNIT WITH 10" TO 13" RECOMMENDED TUBE SETBACK.

SYSTEM MODEL 745DDX
1ea. MODEL 745DTU 4-1/2" DOWNSEND TELLER UNIT
1ea. MODEL 745DCUX 4-1/2" DOWNSEND CUSTOMER UNIT WITH 18" TO 21" RECOMMENDED TUBE SETBACK.

ITEM	QTY	MODEL/PART	DESCRIPTION	NOTE
16	4	9030-0009	COUPLING, 4-1/2" x 6" INSTALOCK	
15	4	8400-0004	LEVELER 1/4-20x2-1/2	
14	4	8180-0118	WASHER FLAT #8 SS	
13	4	8160-3214	NUT KEP 8-32 Z	
12	4	8150-3225	NUT HEX 1/4-20 Z	
11	4	8097-0002	ANCHOR, WEDGE 1/4x3-1/4	
10	2	8055-3620	HWHTCS 8-32x5/8 F Z	
09	5	7428-0008	PLUG, 8 POS TERM BLOCK	
08	2	4001-77AF	CARRIER, CLAM SHELL 4.29 DISC	
07	1	745-9798	TUBE, 4-1/2" x 24" STEEL	3
06	4	745-9790	MOUNT, LEVELER	
05	1	745-9751	BASE, CU MOUNTING	
04	1	745-9735	MOUNT, LEVELER	
03	1	745-9732	BRACKET, COUNTER MOUNT	
02	1	745DTU	TELLER UNIT 4-1/2" DOWNSEND	3
01	1	745DCU	CUSTOMER UNIT 4-1/2" DOWNSEND	1,2,3
SYSTEM COMPONENTS				

DO NOT SCALE



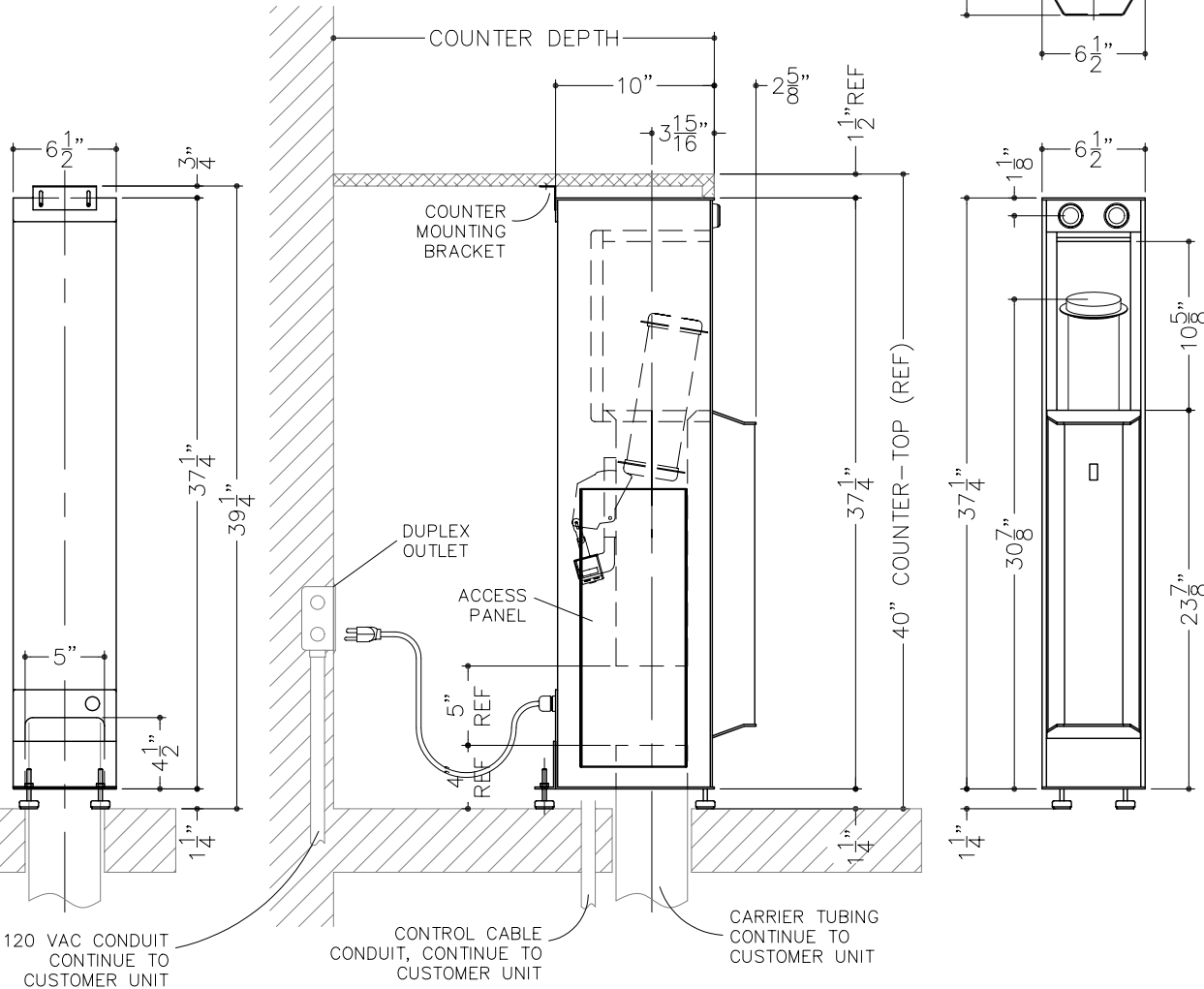
PRODUCT APPLICATION DRAWING
MODEL 745DD REMOTE SYSTEM
(DOWNSEND TU to DOWNSEND CU)

SIZE	DWG NO	DATE	SHEET
A	20167	03.18.2015	1 OF 6

OWNER'S ELECTRICAL CONTRACTOR TO PROVIDE 120 VAC, 60 HZ, SINGLE PHASE, 20 AMP DEDICATED BRANCH CIRCUIT w/OPTIONAL DUPLEX OUTLET. (1) CIRCUIT PER SYSTEM. TELLER UNIT AND CUSTOMER UNIT ON SAME CIRCUIT.

CONTROL CABLE CONDUIT (3/4") FROM CUSTOMER UNIT

TUBE CENTER BELOW



TELLER UNIT (TU) CONTROLS

"SEND" PUSHBUTTON

WHEN PRESSED THE TU DOOR CLOSES & CARRIER IS SENT TO THE CU. UPON ARRIVAL AT THE CU THE CARRIER CHAMBER DOOR OPENS TO PRESENT THE CARRIER.

"HOME" PUSHBUTTON

WHEN PRESSED THE CU CARRIER CHAMBER DOOR CLOSES AND CARRIER IS RETRIEVED FROM THE CU. UPON ARRIVAL AT THE TU, CARRIER CHAMBER DOOR OPENS TO PRESENT THE CARRIER.

"SLEEP" SWITCH

WHEN SWITCHED "ON" (RED INDICATOR IS LIT) THE CU & TU DOORS CLOSE AND SYSTEM IS NO LONGER OPERABLE. WHEN SWITCHED "OFF" THE SYSTEM IS ENABLED FOR NORMAL FUNCTIONS.

TYPICAL TRANSACTION

CUSTOMER ARRIVES AT THE CUSTOMER UNIT WITH THE CARRIER IN THE CARRIER CHAMBER. THE CUSTOMER REMOVES THE CARRIER AND PLACES TRANSACTION INSIDE CARRIER. CUSTOMER THEN INSERTS CARRIER IN THE CARRIER CHAMBER AND PASSES "SEND" BUTTON. THE CARRIER DROPS INTO THE TUBE AS THE CARRIER CHAMBER DOOR CLOSES. WHEN THE DOOR HAS FULLY CLOSED THE AIR HANDLER WILL ENERGIZE AND DELIVER THE CARRIER TO THE TELLER UNIT. THE CARRIER WILL THEN PRESENT ITSELF AS THE TELLER UNIT CHAMBER DOOR OPENS. OPERATOR THEN RETRIEVES THE CARRIER.

TO COMPLETE THE TRANSACTION OPERATOR INSERTS CARRIER INTO TELLER UNIT CHAMBER AND PASSES "SEND" BUTTON. THE CARRIER THEN DROPS INTO THE TUBE AS THE CARRIER CHAMBER DOOR CLOSES. WHEN THE DOOR HAS FULLY CLOSED THE AIR HANDLER WILL ENERGIZE AND DELIVER THE CARRIER TO THE CUSTOMER UNIT.

DO NOT SCALE

American Vault[®].us

PRODUCT APPLICATION DRAWING
 MODEL 745DD REMOTE SYSTEM
 (MODEL 745 4-1/2" DOWNSEND TU DETAILS)

SIZE	DWG NO	DATE	SHEET
A	20167	03.18.2015	2 OF 6

CUSTOMER UNIT (CU) CONTROLS

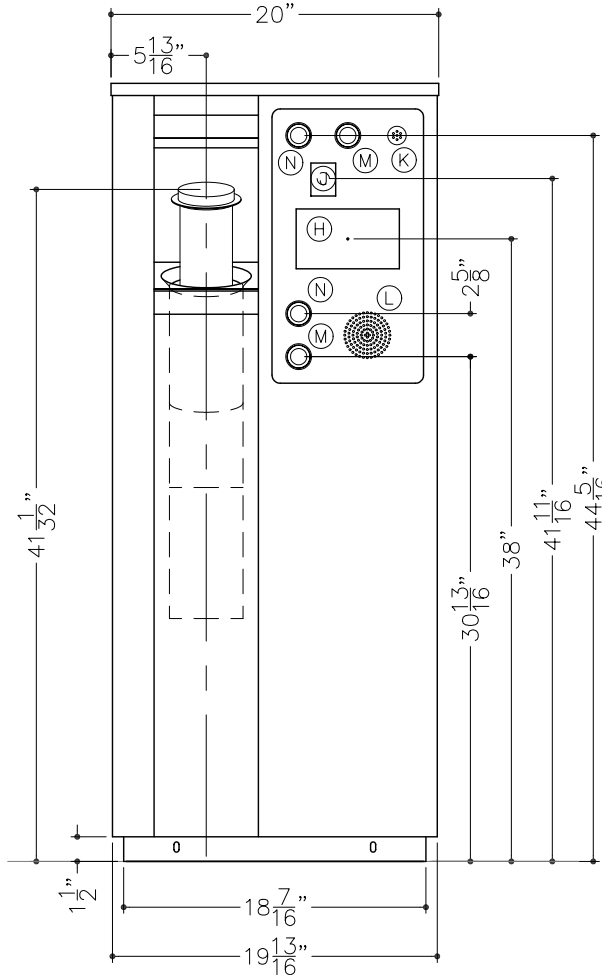
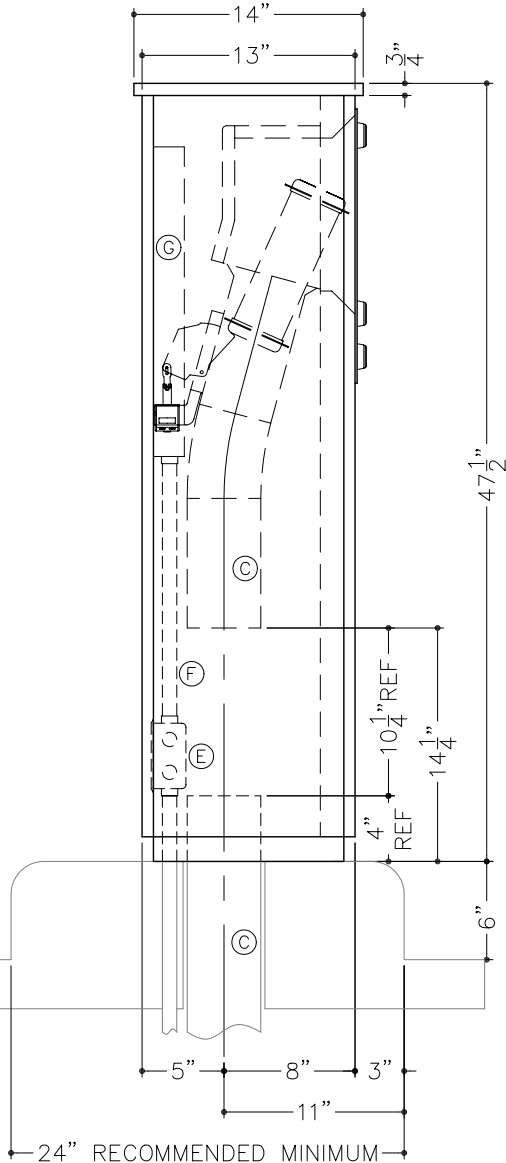
"SEND" PUSHBUTTON

WHEN PRESSED THE CARRIER CHAMBER DOOR CLOSES AND CARRIER IS SENT TO THE TU. UPON ARRIVAL AT THE TU THE CARRIER CHAMBER DOOR OPENS TO PRESENT THE CARRIER.

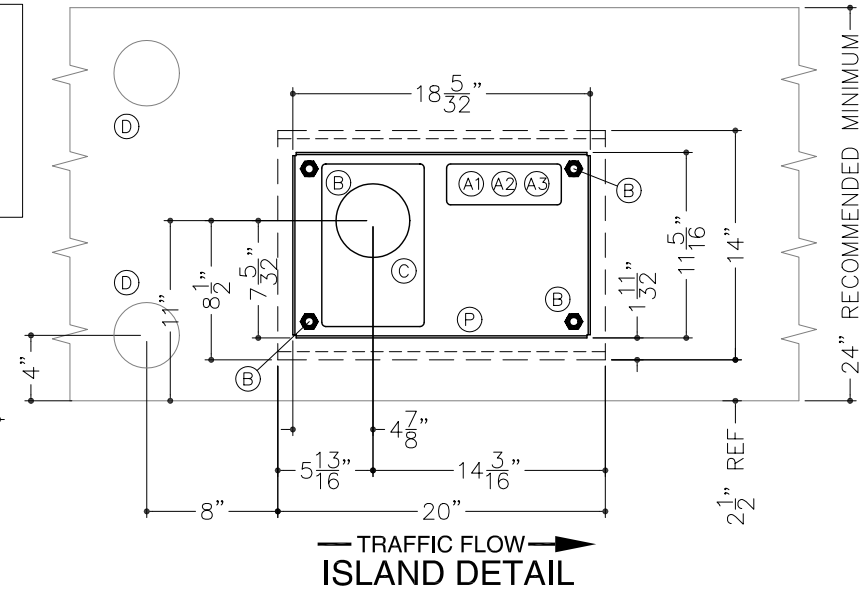
"CALL" PUSHBUTTON

WHEN A CUSTOMER ARRIVES AT THE CU THE CUSTOMER MAY PRESS THE "CALL" BUTTON. THIS ACTIVATES AN AUDIO CHIME ON THE TELLER STATION AUDIO TO ALERT THE OPERATOR THAT A CUSTOMER WISHES TO COMMUNICATE.

OWNER'S ELECTRICAL CONTRACTOR TO PROVIDE 120 VAC, 60 HZ, SINGLE PHASE, 20 AMP DEDICATED BRANCH CIRCUIT w/OPTIONAL DUPLEX OUTLET. (1) CIRCUIT PER SYSTEM. TELLER UNIT AND CUSTOMER UNIT ON SAME CIRCUIT.



MODEL 745DCUM
4-1/2" DOWNSEND CUSTOMER UNIT
10" TO 13" RECOMMENDED
TUBE SETBACK



LEGEND:

- A 3/4" CONDUIT (3x)
- A1 120 Vac, 60 HZ, SINGLE PHASE 20AMP DEDICATED CIRCUIT
- A2 AUDIO/VIDEO CONDUIT FROM AUDIO/VIDEO HUB
- A3 CONTROL CABLE FROM TELLER UNIT.
- B COMBINATION LEVELING BOLT & ANCHOR (4x)
- C 4-1/2" CARRIER TUBE
- D BOLLARD
- E DUPLEX OUTLET FOR CONVENIENCE(OPTIONAL)
- F CONDUIT FROM OUTLET
- G CONTROL PANEL
- H VIDEO DISPLAY (OPTIONAL)
- J CAMERA (OPTIONAL)
- K AUDIO MICROPHONE
- L AUDIO SPEAKER
- M "CALL" BUTTON (2x)
- N "SEND" BUTTON (2x)
- P CUSTOMER UNIT MOUNTING BASE

DO NOT SCALE

American
vault[®].us

PRODUCT APPLICATION DRAWING
 MODEL 745DD REMOTE SYSTEM (4-1/2")
 (MODEL 745DCUM 4-1/2" DOWNSEND CU DETAILS)
 (10" to 13" RECOMMENDED TUBE SETBACK)

SIZE	DWG NO	DATE	SHEET
A	20167	03.18.2015	3 OF 6

CUSTOMER UNIT (CU) CONTROLS

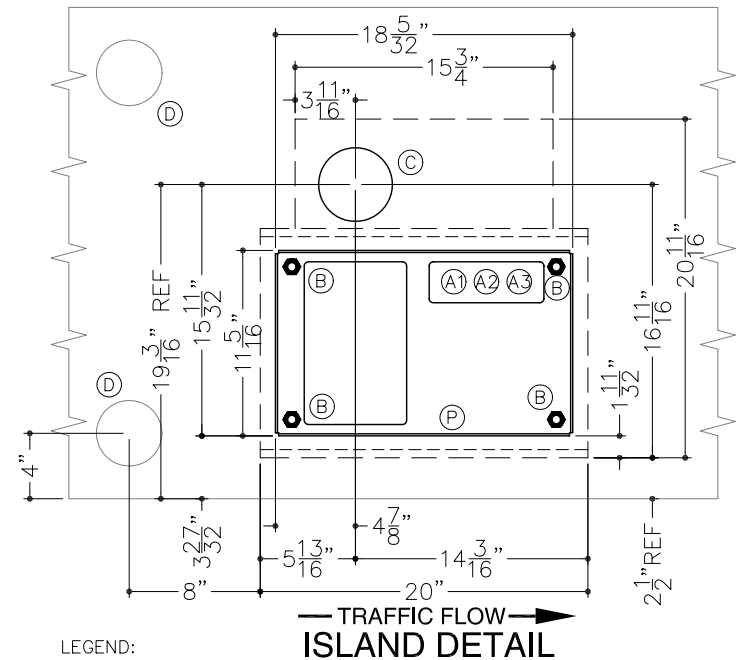
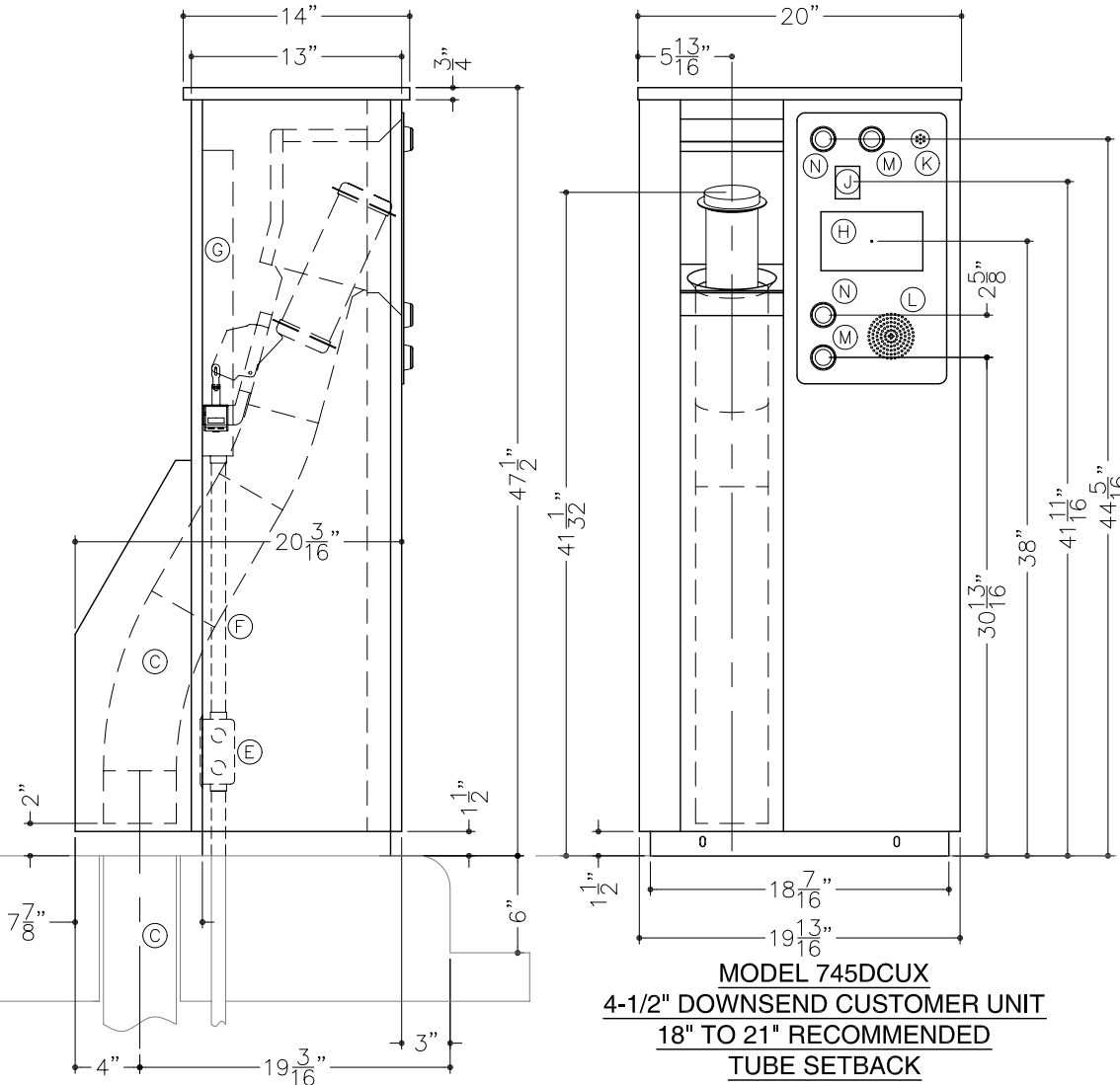
"SEND" PUSHBUTTON

WHEN PRESSED THE CARRIER CHAMBER DOOR CLOSES AND CARRIER IS SENT TO THE TU. UPON ARRIVAL AT THE TU THE CARRIER CHAMBER DOOR OPENS TO PRESENT THE CARRIER.

"CALL" PUSHBUTTON

WHEN A CUSTOMER ARRIVES AT THE CU THE CUSTOMER MAY PRESS THE "CALL" BUTTON. THIS ACTIVATES AN AUDIO CHIME ON THE TELLER STATION AUDIO TO ALERT THE OPERATOR THAT A CUSTOMER WISHES TO COMMUNICATE.

OWNER'S ELECTRICAL CONTRACTOR TO PROVIDE 120 VAC, 60 HZ, SINGLE PHASE, 20 AMP DEDICATED BRANCH CIRCUIT w/OPTIONAL DUPLEX OUTLET. (1) CIRCUIT PER SYSTEM. TELLER UNIT AND CUSTOMER UNIT ON SAME CIRCUIT.



LEGEND:

- A 3/4" CONDUIT (3x)
- A1 120 Vac, 60 HZ, SINGLE PHASE 20AMP DEDICATED CIRCUIT
- A2 AUDIO/VIDEO CONDUIT FROM AUDIO/VIDEO HUB
- A3 CONTROL CABLE FROM TELLER UNIT.
- B COMBINATION LEVELING BOLT & ANCHOR (4x)
- C 4-1/2" CARRIER TUBE
- D BOLLARD
- E DUPLEX OUTLET FOR CONVENIENCE(OPTIONAL)
- F CONDUIT FROM OUTLET
- G CONTROL PANEL
- H VIDEO DISPLAY (OPTIONAL)
- J CAMERA (OPTIONAL)
- K AUDIO MICROPHONE
- L AUDIO SPEAKER
- M "CALL" BUTTON (2x)
- N "SEND" BUTTON (2x)
- P CUSTOMER UNIT MOUNTING BASE

DO NOT SCALE

www.AmericanVault.us

PRODUCT APPLICATION DRAWING
 MODEL 745DD 4-1/2" DOWNSEND REMOTE SYSTEM
 (MODEL 745DCUX CUSTOMER UNIT DETAILS)
 (18" to 21" RECOMMENDED TUBE SETBACK)

SIZE	DWG NO	DATE	SHEET
A	20167	03.18.2015	4 OF 6

CUSTOMER UNIT (CU) CONTROLS

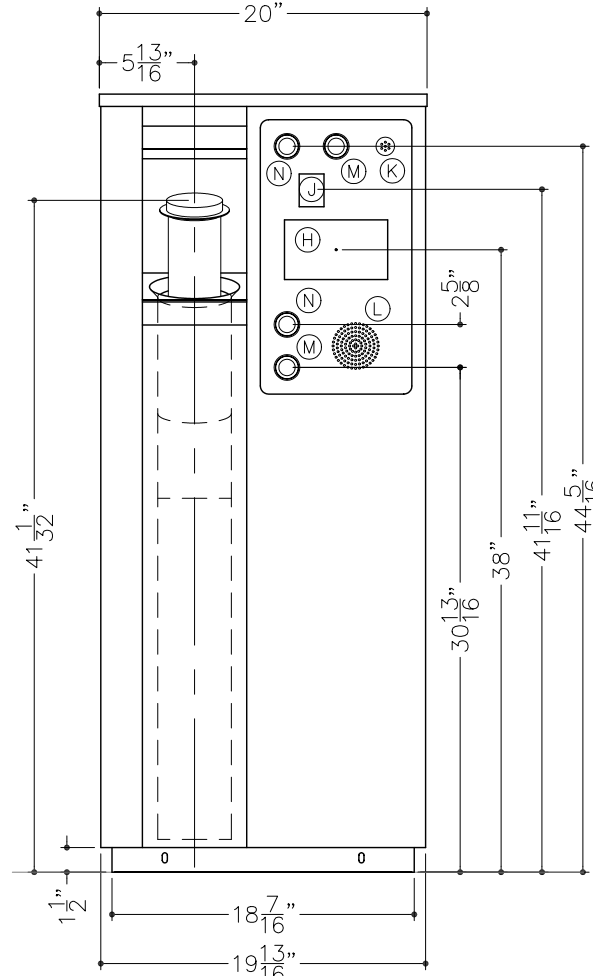
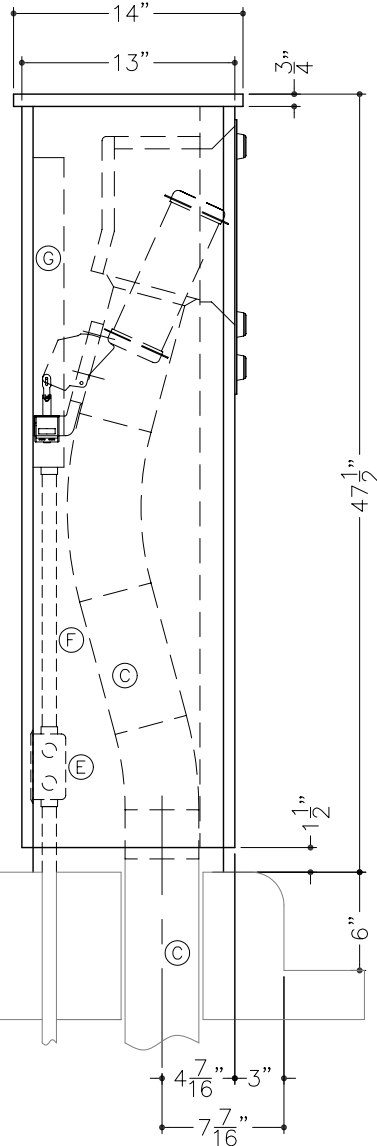
"SEND" PUSHBUTTON

WHEN PRESSED THE CARRIER CHAMBER DOOR CLOSES AND CARRIER IS SENT TO THE TU. UPON ARRIVAL AT THE TU THE CARRIER CHAMBER DOOR OPENS TO PRESENT THE CARRIER.

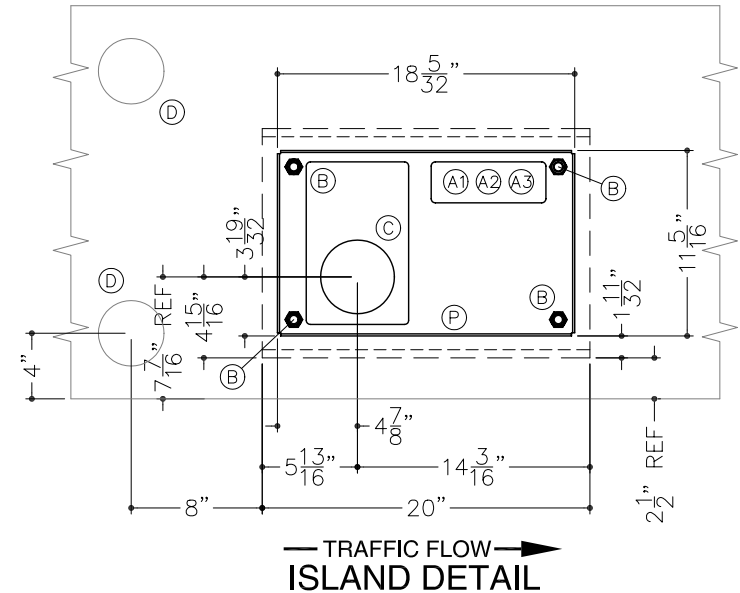
"CALL" PUSHBUTTON

WHEN A CUSTOMER ARRIVES AT THE CU THE CUSTOMER MAY PRESS THE "CALL" BUTTON. THIS ACTIVATES AN AUDIO CHIME ON THE TELLER STATION AUDIO TO ALERT THE OPERATOR THAT A CUSTOMER WISHES TO COMMUNICATE.

OWNER'S ELECTRICAL CONTRACTOR TO PROVIDE 120 VAC, 60 HZ, SINGLE PHASE, 20 AMP DEDICATED BRANCH CIRCUIT w/OPTIONAL DUPLEX OUTLET. (1) CIRCUIT PER SYSTEM. TELLER UNIT AND CUSTOMER UNIT ON SAME CIRCUIT.



MODEL 745DCUS
4-1/2" DOWNSEND CUSTOMER UNIT
6" TO 9" RECOMMENDED
TUBE SETBACK



- LEGEND:
- A 3/4" CONDUIT (3x)
 - A1 120 Vac, 60 HZ, SINGLE PHASE 20AMP DEDICATED CIRCUIT
 - A2 AUDIO/VIDEO CONDUIT FROM AUDIO/VIDEO HUB
 - A3 CONTROL CABLE FROM TELLER UNIT.
 - B COMBINATION LEVELING BOLT & ANCHOR (4x)
 - C 4-1/2" CARRIER TUBE
 - D BOLLARD
 - E DUPLEX OUTLET FOR CONVENIENCE(OPTIONAL)
 - F CONDUIT FROM OUTLET
 - G CONTROL PANEL
 - H VIDEO DISPLAY (OPTIONAL)
 - J CAMERA (OPTIONAL)
 - K AUDIO MICROPHONE
 - L AUDIO SPEAKER
 - M "CALL" BUTTON (2x)
 - N "SEND" BUTTON (2x)
 - P CUSTOMER UNIT MOUNTING BASE

DO NOT SCALE

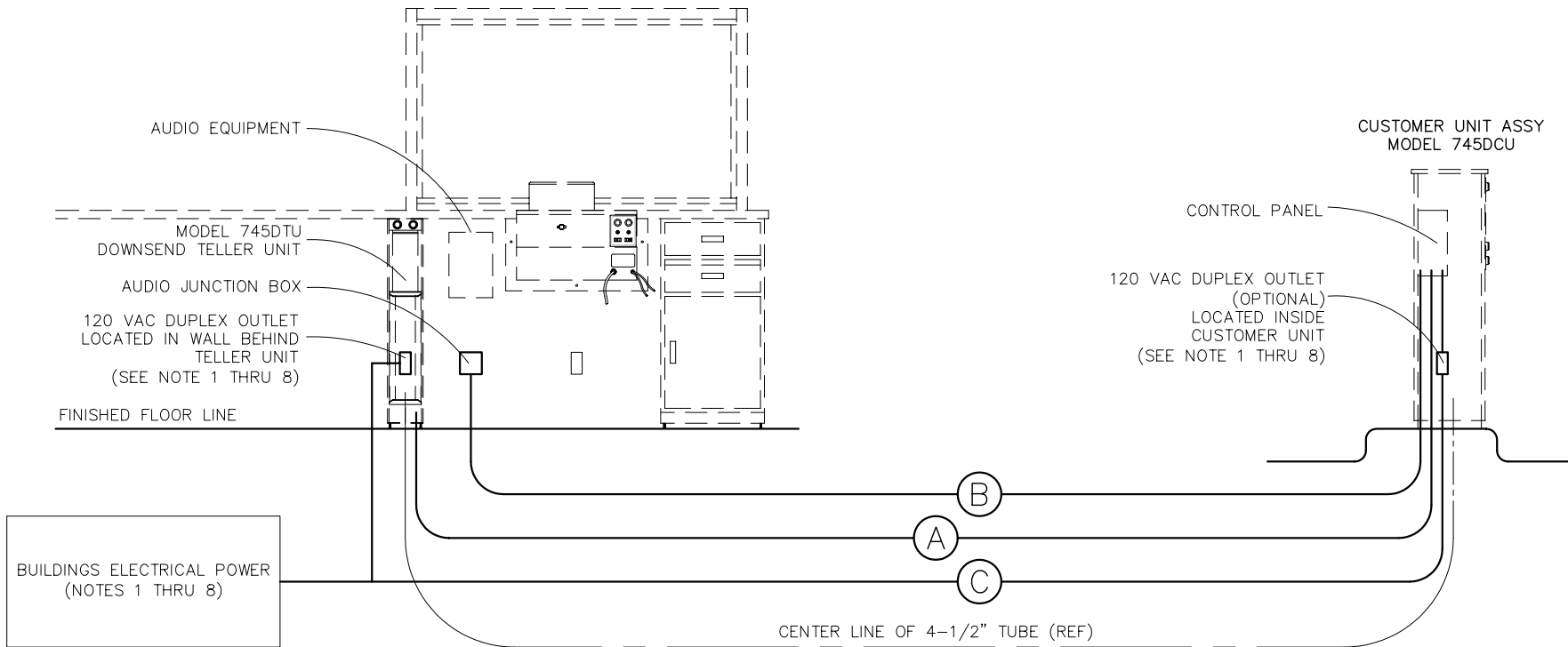


PRODUCT APPLICATION DRAWING
 MODEL 745DD 4-1/2" DOWNSEND REMOTE SYSTEM
 (MODEL 745DCUS 4-1/2" CUSTOMER UNIT DETAILS)
 (6" to 9" RECOMMENDED TUBE SETBACK)

SIZE	DWG NO	DATE	SHEET
A	20167	03.18.2015	5 OF 6

NOTES:

1. THE BRANCH CIRCUITS SUPPLYING THE 745 SERIES RTS MUST BE A DEDICATED CIRCUIT USING INDIVIDUAL HOT, NEUTRAL AND GROUND CONDUCTORS.
2. NEITHER THE CONDUIT NOR THE NEUTRAL SHOULD BE SHARED WITH OTHER CIRCUITS.
3. CONDUIT MUST NOT BE USED IN PLACE OF GROUND WIRE.
4. CUSTOMER UNIT LOAD IS 9.0 AMPS. TELLER UNIT LOAD IS 1.0 AMP. NO OTHER LOADS ARE TO BE CONNECTED TO THIS CIRCUIT.
5. ONE BREAKER IS TO SHUT DOWN ONE SYSTEM (CUSTOMER & TELLER UNIT) ONLY.
6. ALL WORK AND MATERIALS SHALL CONFORM TO NATIONAL, STATE & LOCAL ELECTRICAL CODES WHERE APPLICABLE.
7. ALL CONDUIT, POWER WIRES, JUNCTION BOXES, ETC. ARE TO BE PROVIDED BY OWNER'S ELECTRICAL CONTRACTOR.
8. THE OWNER'S ELECTRICAL CONTRACTOR IS RESPONSIBLE FOR THE GROUNDING OF ELECTRICAL EQUIPMENT.



- (A) 3/4" CONDUIT FOR CUSTOMER/TELLER INTERFACE CABLE
15 CONDUCTOR, 22GA.
REF BELDEN #8456 OR EQUIV.
AVC PART #2009-0003
- (B) 3/4" CONDUIT FOR AUDIO AND VIDEO INTERFACE CABLE
REFER TO AUDIO MANUFACTURERS
SPECIFICATIONS FOR CABLE REQUIREMENTS
- (C) 120 VAC, 60Hz, 1PH, 20 AMP
DEDICATED BRANCH CIRCUIT
(SEE NOTES 1 THRU 8)

DO NOT SCALE



PRODUCT APPLICATION DRAWING
MODEL 745DD REMOTE SYSTEM
(DOWNSEND TU to DOWNSEND CU)

SIZE	DWG NO	DATE	SHEET
A	20167	03.18.2015	6 OF 6