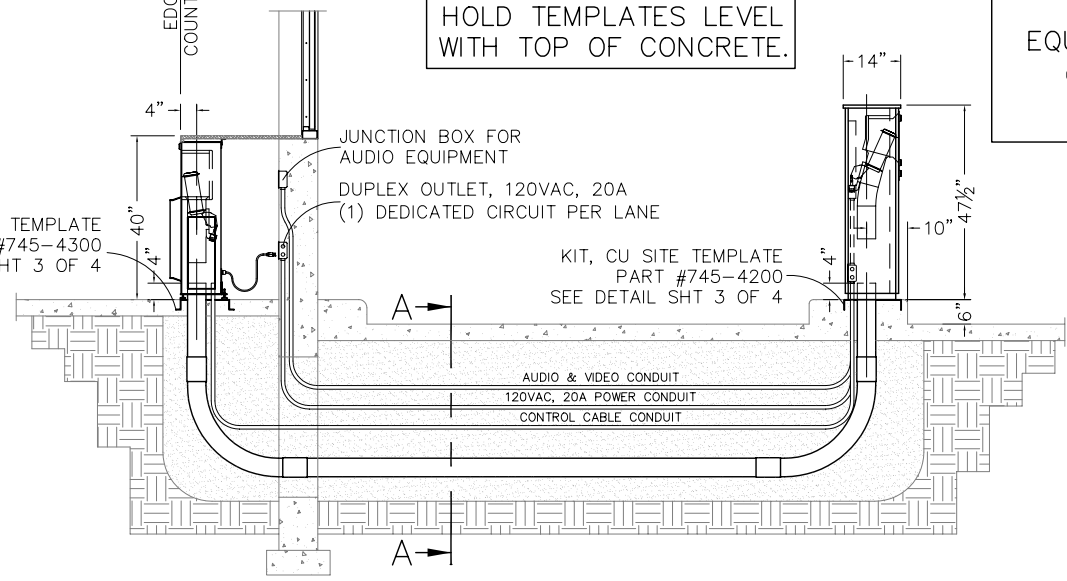


HOLD TEMPLATES LEVEL WITH TOP OF CONCRETE.

SITE TEMPLATES PROVIDED BY AVC TO BANK EQUIPMENT CONTRACTOR (BEC) FOR INSTALLATION BY OWNERS GENERAL CONTRACTOR (GC). BEC IS TO COORDINATE INSTALLATION WITH GC.

KIT, TU SITE TEMPLATE PART #745-4300 SEE DETAIL SHT 3 OF 4



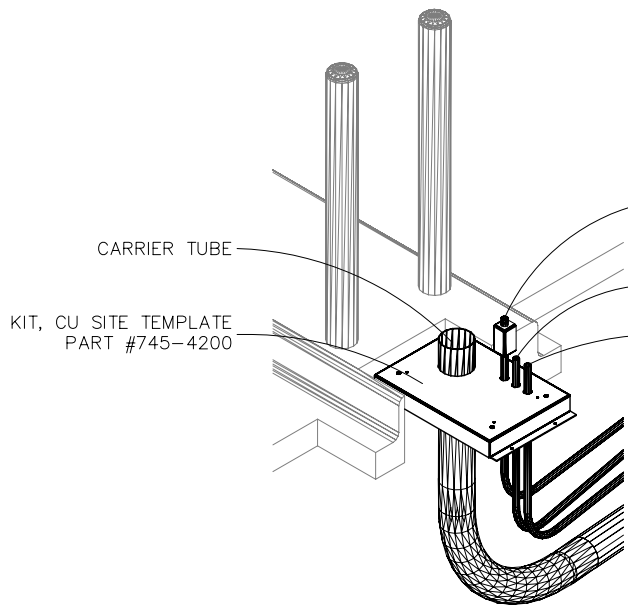
DO NOT SCALE

American Vault[®].us

PRODUCT APPLICATION DRAWING
 MODEL 745DD 4-1/2" DOWNSEND RTS
 (DIRECT BURIAL TUBE DETAILS)

SIZE	DWG NO	DATE	SHEET
A	20167-01	10.08.2012	1 OF 4

FOR ADDITIONAL SPECIFICATIONS REFER TO DRAWING #20167.

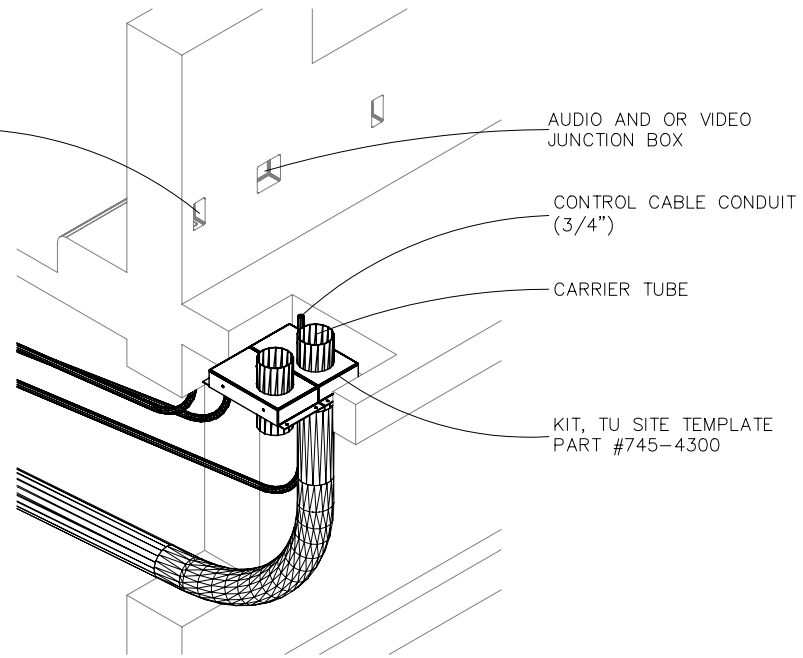


DEDICATED CIRCUIT
 DUPLEX RECEPTACLE
 120VAC, 20A
 (ONE PER LANE)
 (TU AND CU ON SAME CIRCUIT)

120VAC, 20A DEDICATED CIRCUIT FROM TU
 (TU AND CU ON SAME CIRCUIT)
 (SHOWN WITH OPTIONAL DUPLEX
 CONVENIENCE OUTLET)

AUDIO AND OR VIDEO CONDUIT (3/4")

CONTROL CABLE CONDUIT (3/4")



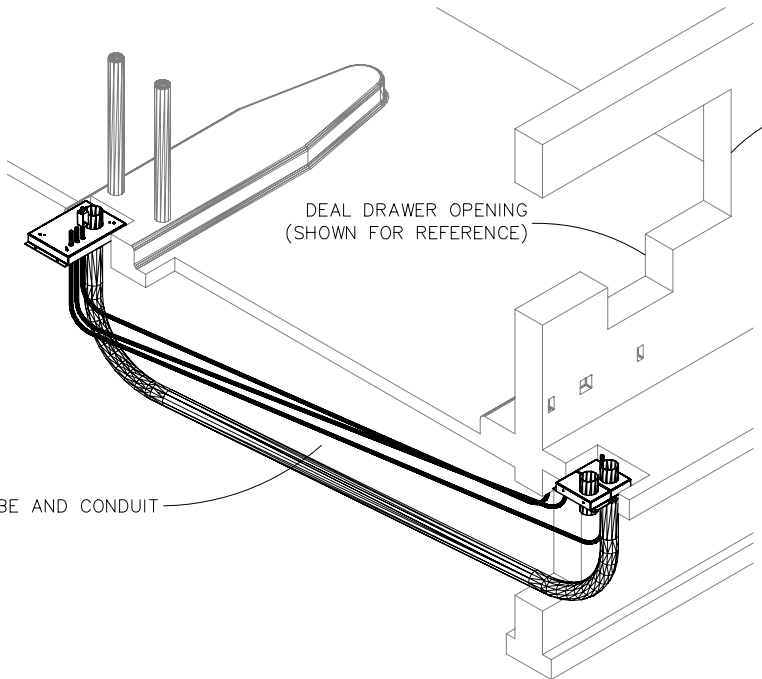
AUDIO AND OR VIDEO
 JUNCTION BOX

CONTROL CABLE CONDUIT
 (3/4")

CARRIER TUBE

KIT, TU SITE TEMPLATE
 PART #745-4300

HOLD TEMPLATES LEVEL
 WITH TOP OF CONCRETE.



B/R WINDOW OPENING
 (SHOWN FOR REFERENCE)

DEAL DRAWER OPENING
 (SHOWN FOR REFERENCE)

BURIED CARRIER TUBE AND CONDUIT

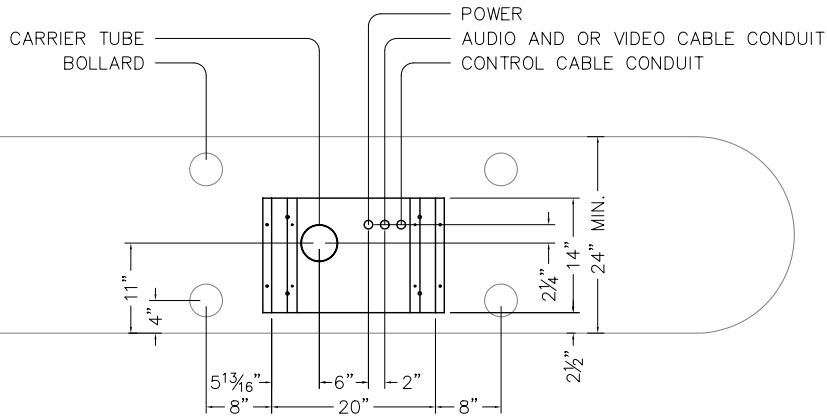
DO NOT SCALE



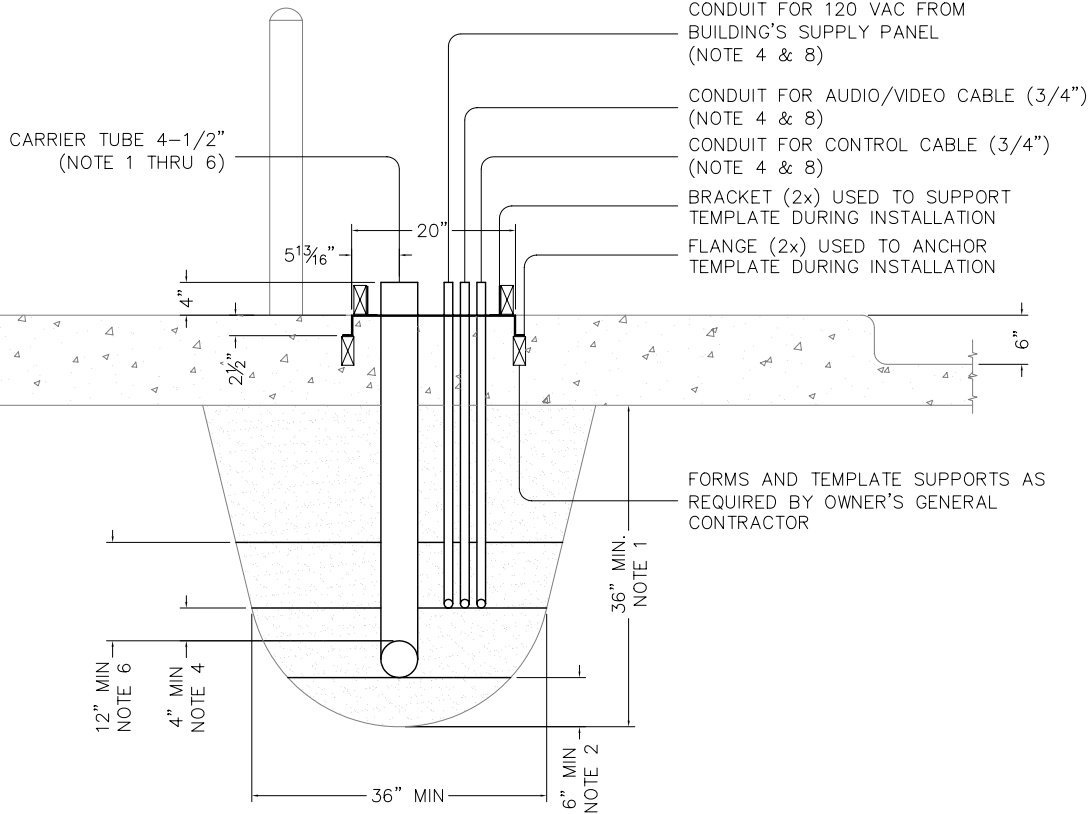
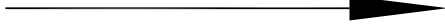
PRODUCT APPLICATION DRAWING
 MODEL 745DD 4-1/2" DOWNSEND RTS
 (DIRECT BURIAL TUBE DETAILS)

SIZE	DWG NO	DATE	SHEET
A	20167-01	10.08.2012	2 OF 4

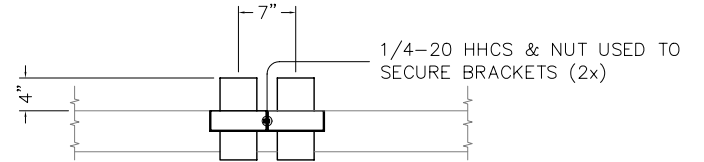
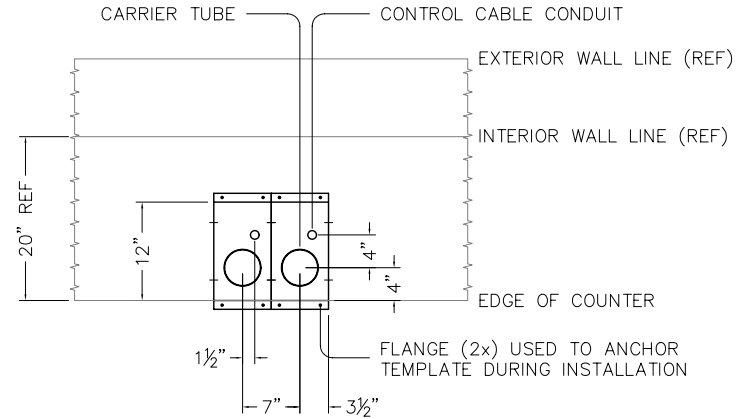
FOR ADDITIONAL SPECIFICATIONS REFER TO DRAWING #20167.



TRAFFIC FLOW



SECTION A-A



DO NOT SCALE

American Vault.us

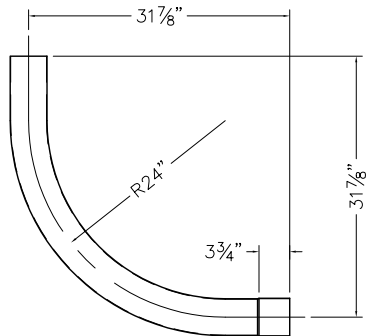
PRODUCT APPLICATION DRAWING
 MODEL 745DD 4-1/2" DOWNSEND RTS
 (DIRECT BURIAL TUBE DETAILS)

SIZE	DWG NO	DATE	SHEET
A	20167-01	10.08.2012	3 OF 4

FOR ADDITIONAL SPECIFICATIONS REFER TO DRAWING #20167.

NOTES:

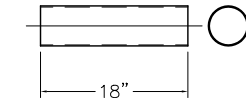
1. OWNER'S GENERAL CONTRACTOR TO PROVIDE OSHA APPROVED TRENCH FROM UNDERSIDE OF TELLER TERMINAL TO CUSTOMER TERMINAL ISLANDS. ROUTING OF TRENCH TO BE DETERMINED BY THE OWNER'S GENERAL CONTRACTOR. MINIMUM DEPTH OF TRENCH IS 3'0". ACTUAL DEPTH IS DETERMINED BY ARCHITECT BASED ON JOB SITE CONDITIONS, SOIL, FROST LINE, CODE, ETC. TUBES ARE TO BE LOCATED BELOW FROST LINE.
2. BEFORE TUBES ARE INSTALLED OWNER'S GENERAL CONTRACTOR IS TO FILL EXCAVATION WITH 6" MINIMUM BASE OF CLEAN FILL SAND, WASHED AND COMPACTED WITH NO MORE THAN 10% OF 1/8" AGGREGATE PER ASTM-C-144-70.
3. TAPECOAT PROTECTED TUBING AND FITTINGS ARE TO BE USED BELOW GROUND. ALL JOINTS BELOW GROUND ARE TO BE PERMANENTLY JOINED BY BRAZING. ALL JOINTS ARE TO BE AIR-TIGHT AND SEALED USING TAPECOAT #20 AND HEAT SHRINKABLE PROTECTIVE SLEEVE TO ENSURE A WATER-TIGHT INSTALLATION. ALL TUBES ARE TO BE PRESSURE TESTED PRIOR TO BACKFILLING TRENCH.
4. BEFORE CONDUIT IS INSTALLED OWNER'S GENERAL CONTRACTOR IS TO COVER TUBES WITH 4" OF CLEAN FILL SAND, WASHED AND COMPACTED WITH NO MORE THAN 10% OF 1/8" AGGREGATE PER ASTM-C-144-70.
5. CONDUIT IS TO BE BURIED BY OWNER'S ELECTRICAL CONTRACTOR ABOVE TUBES AND SHALL NOT INTERFERE WITH THE TUBES.
6. OWNER'S GENERAL CONTRACTOR IS TO FILL SPACE ABOVE TUBES WITH 12" MINIMUM OF CLEAN FILL SAND, WASHED AND COMPACTED WITH NO MORE THAN 10% OF 1/8" AGGREGATE PER ASTM-C-144-70. TAKE CARE NOT TO DISTURB TUBES OR CONDUIT.
7. OWNER'S GENERAL CONTRACTOR TO BACKFILL AND COMPACT SOIL IN REMAINING SPACE OF TRENCH.
8. ALL CONDUIT AND POWER IS BY OWNER'S ELECTRICAL CONTRACTOR.
9. DETAILS SHOWN FOR ILLUSTRATION PURPOSES ONLY. LOCAL, STATE AND NATIONAL CODES DICTATE ACTUAL INSTALLATION.



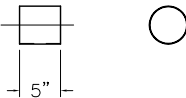
TAPECOAT STEEL BEND,
ONE END EXPANDED,
4-1/2x24R
AVC PART #9034-0010
(NOTE 3,4,5,6)



TAPECOAT STEEL TUBING
ONE END EXPANDED,
4-1/2x12'6"
AVC PART #9034-0003
(NOTE 3,4,5,6)



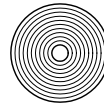
PROTECTION SLEEVE,
4-1/2x18"
AVC PART #9034-0020
(NOTE 3,4,5,6)



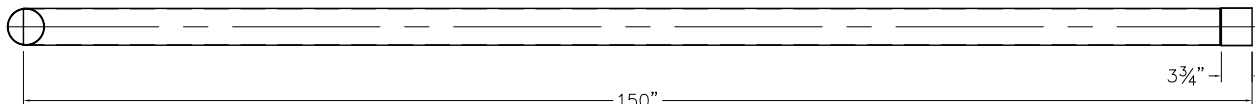
STEEL SLEEVE,
4-1/2x5
AVC PART #9030-0150
(NOTE 3,4,5,6)



TAPECOAT PRIMER,
1 PINT CAN
AVC PART #9034-0022
(NOTE 3,4,5,6)



TAPE, TAPECOAT #20,
75' ROLL
AVC PART #9034-0021
(NOTE 3,4,5,6)



DO NOT SCALE

American
vault.us

PRODUCT APPLICATION DRAWING
MODEL 745DD 4-1/2" DOWNSEND RTS
(DIRECT BURIAL TUBE DETAILS)

SIZE	DWG NO	DATE	SHEET
A	20167-01	10.08.2012	4 OF 4

FOR ADDITIONAL SPECIFICATIONS REFER TO DRAWING #20167.