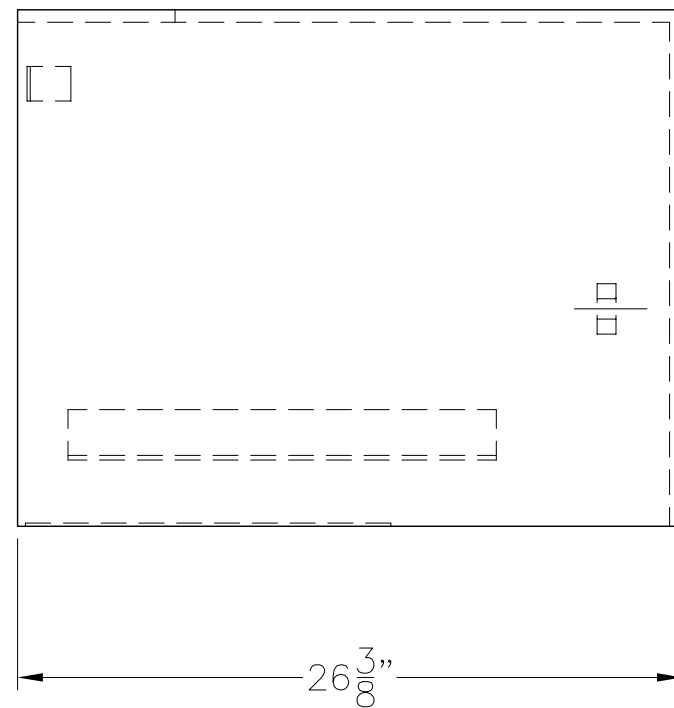
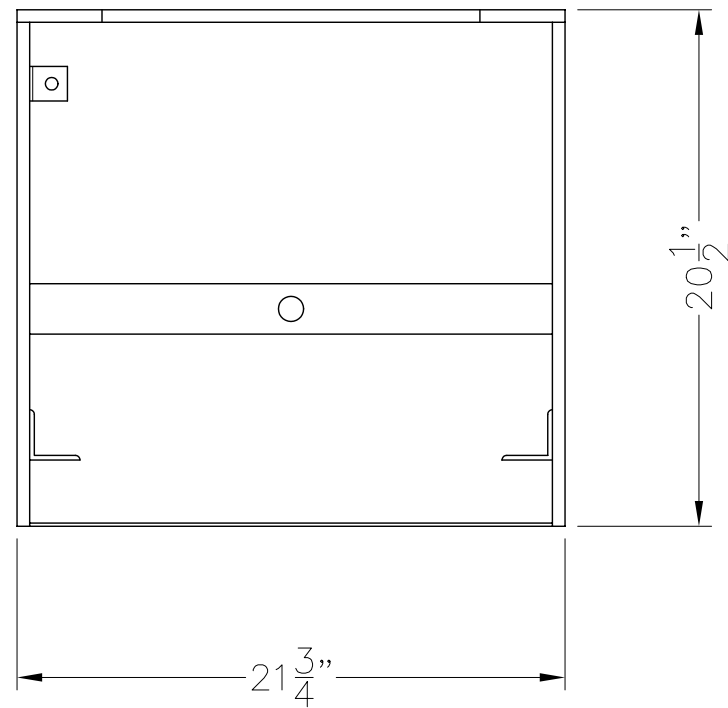
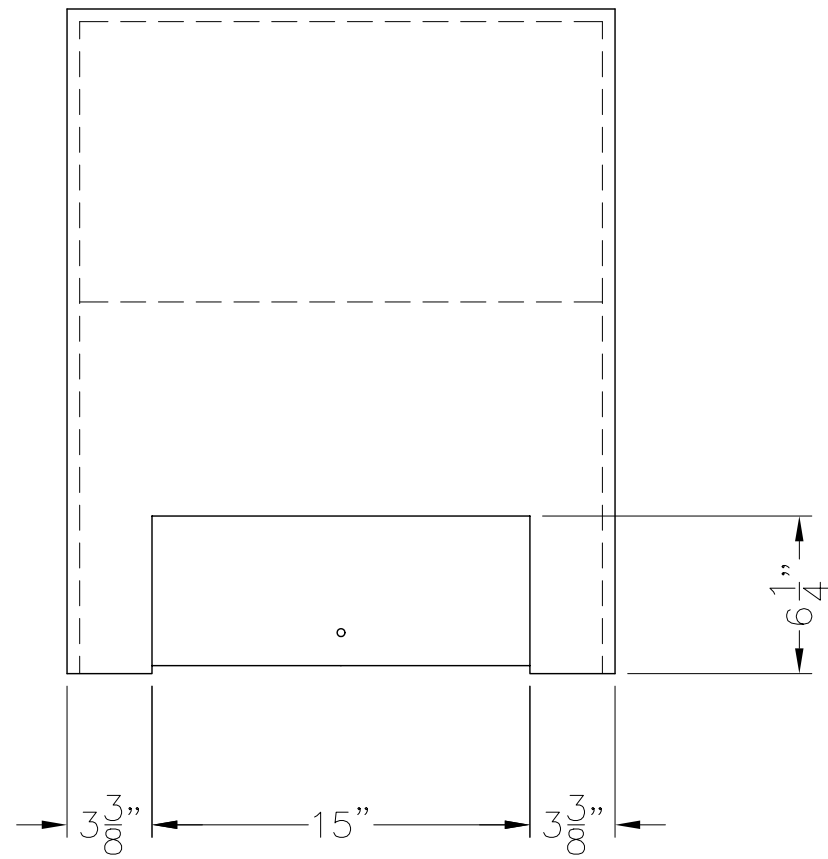


NOTES:

1. FOR USE WITH MODEL 85 DEPOSITORY. MUST BE WELDED TO APPROPRIATE RECEIVING CHEST. DO NOT ENCASE IN CONCRETE.



DO NOT SCALE

American
Vault[®].us

PRODUCT APPLICATION DRAWING
2000 SERIES DEPOSITORY
NON-GROUT OUTER HOUSING MOD 2063

SIZE	DWG NO	DATE	SHEET
B	20112	01.01.2012	1 OF 1