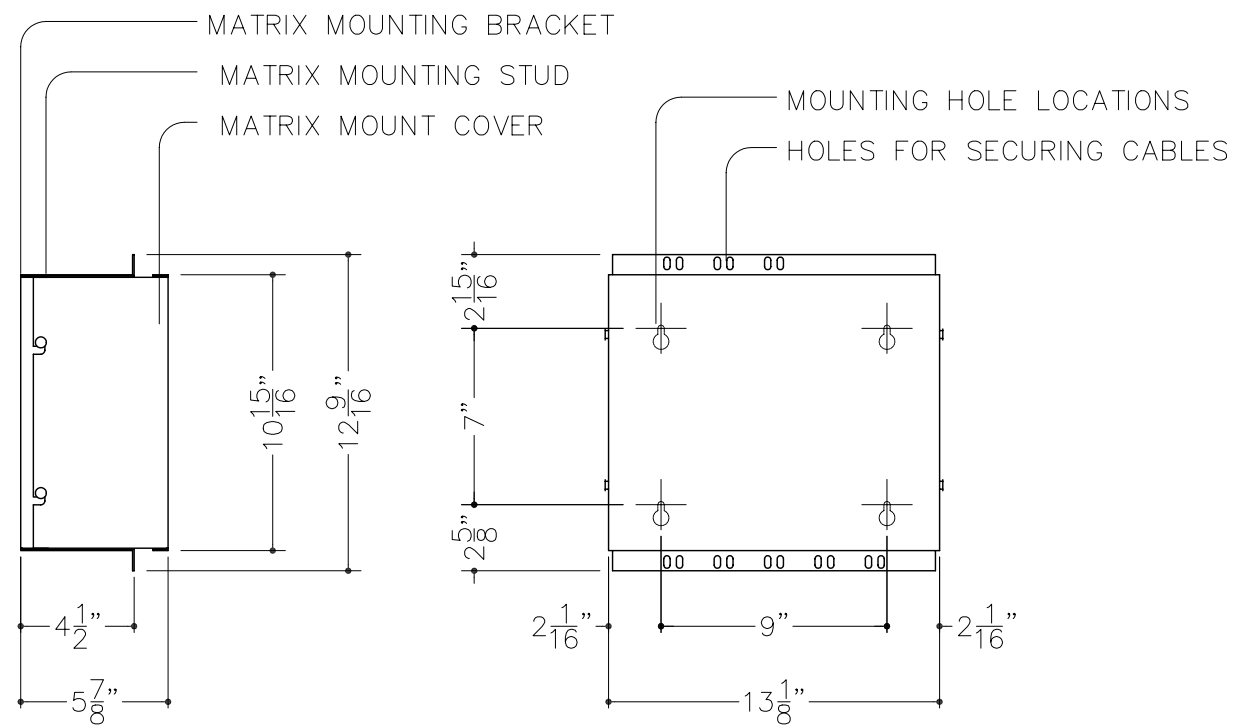
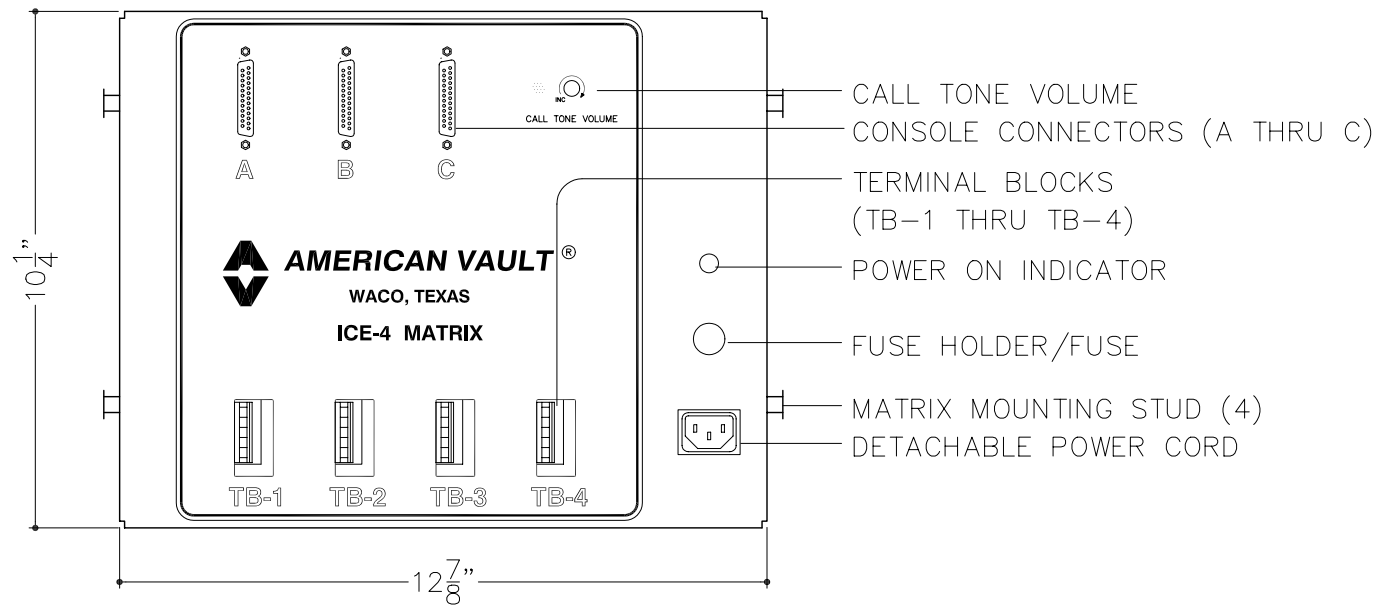
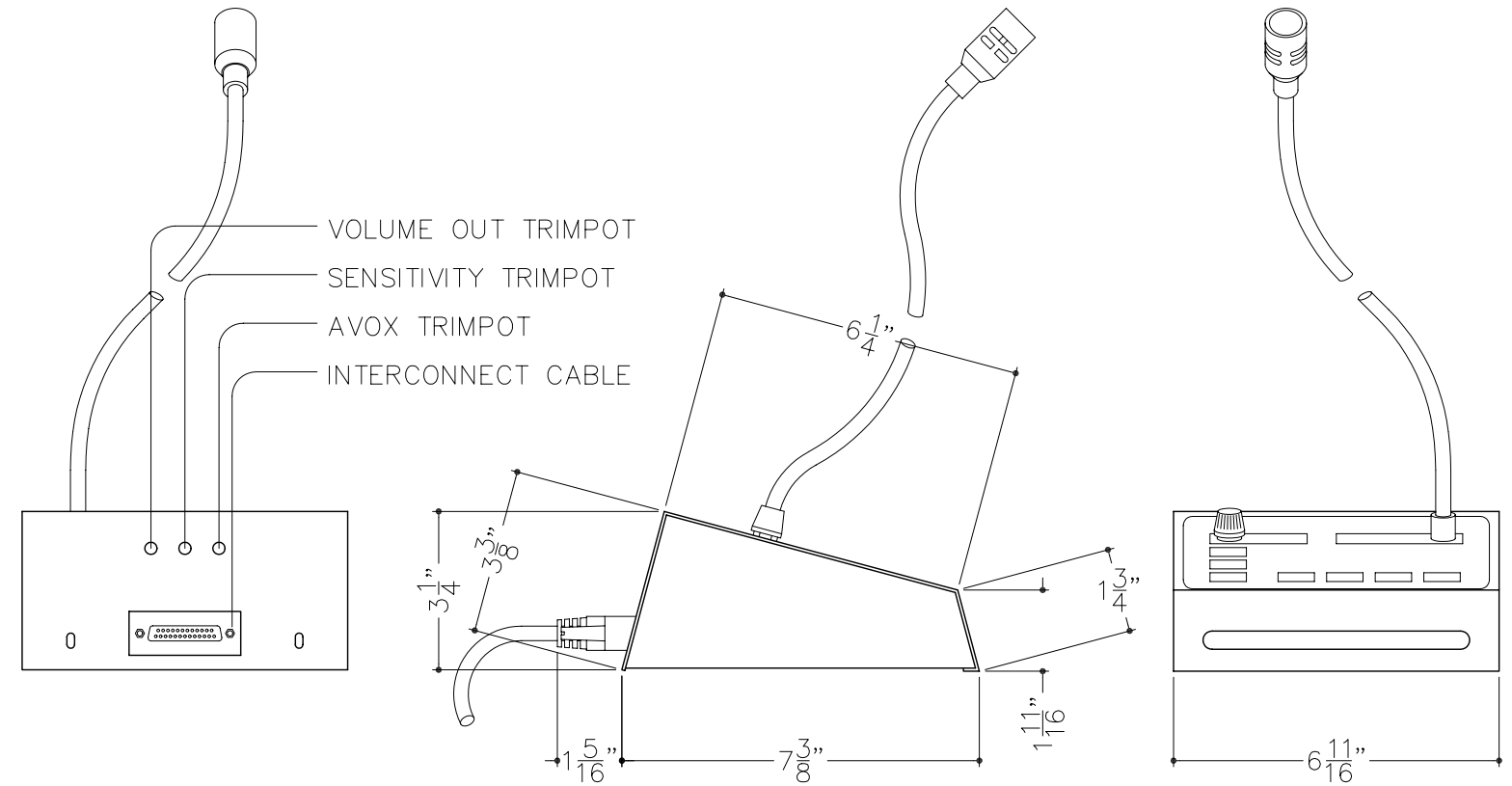
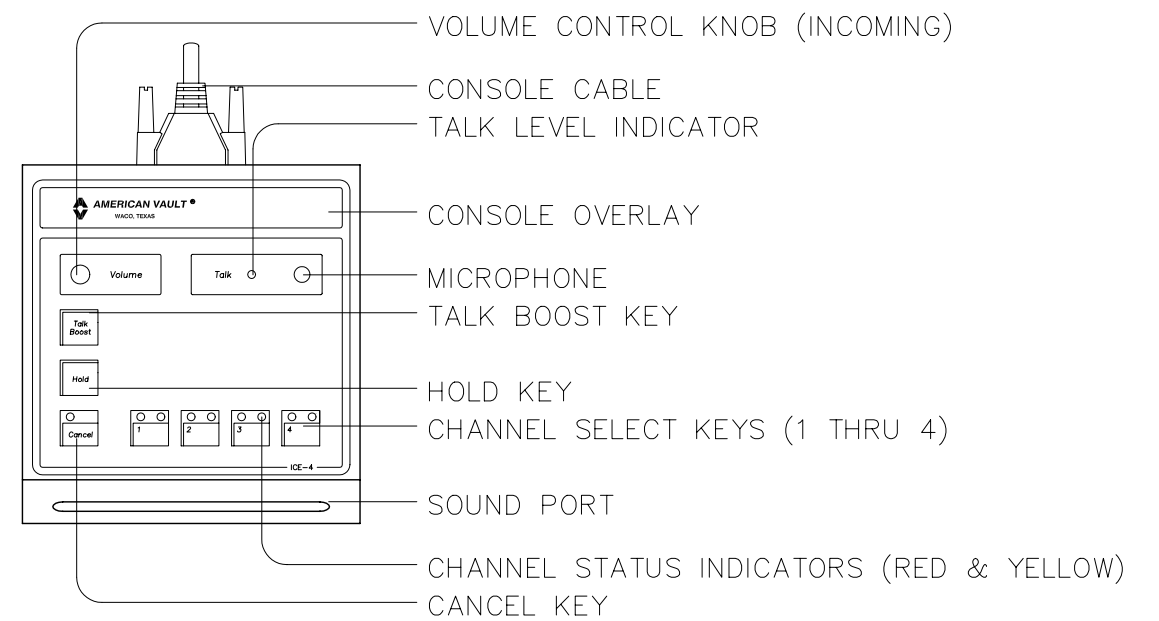


**TERMINAL BLOCK DETAIL (TB-1 THRU TB-4)**



**MODEL 5402 (ICE-4 MATRIX)**



**MODEL 5401 (ICE-4 CONSOLE)**

DO NOT SCALE



PRODUCT APPLICATION DRAWING  
5000 SERIES AUDIO SYSTEM  
ICE-4 CONSOLE & MATRIX

SIZE	DWG NO	DATE	SHEET
<b>B</b>	20051	03.04.2013	1 OF 1