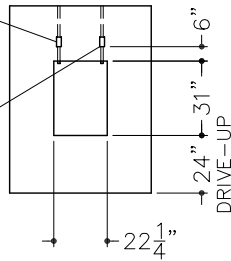


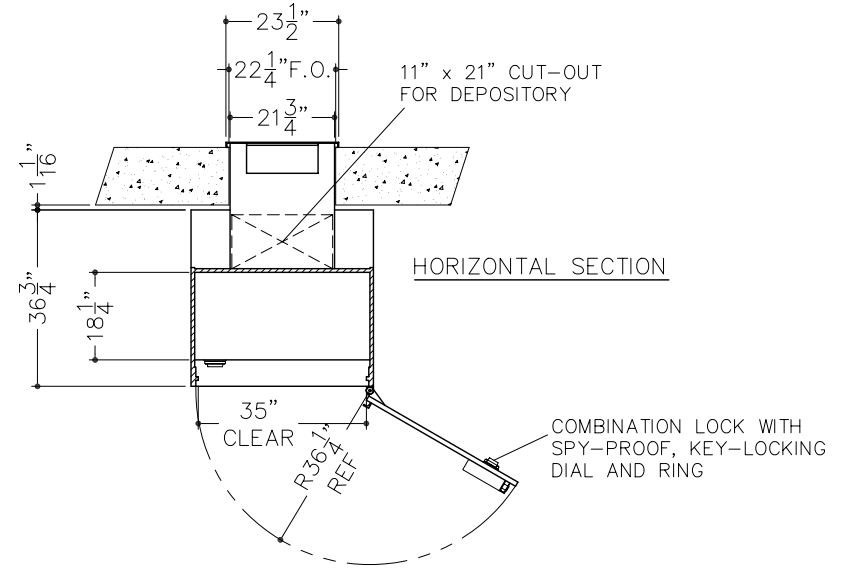
2 X 4 JUNCTION BOX WITH  
3/4" CONDUIT & COVER  
FOR 120V 15A SERVICE  
TO DEPOSITORY SIGN

2 X 4 JUNCTION BOX WITH  
3/4" CONDUIT & COVER  
FOR ALARM CONNECTION

FINISHED FLOOR LINE

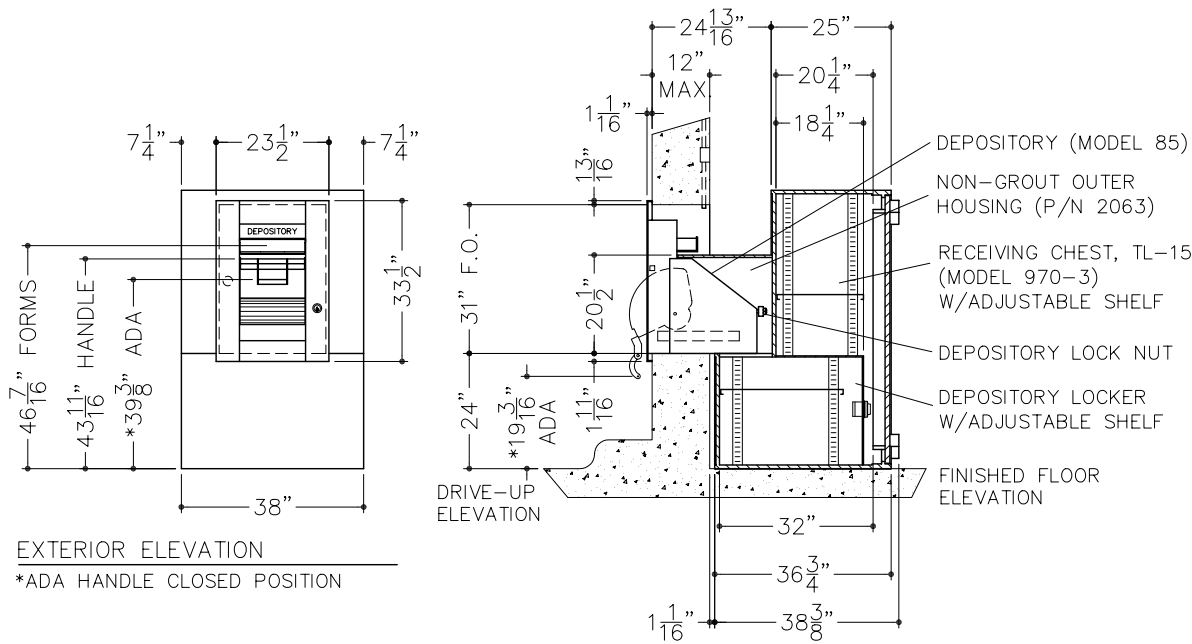


**CAUTION!**  
ONLY PROFESSIONALS EXPERIENCED AND  
QUALIFIED IN THE INSTALLATION OF SAFES  
SHOULD INSTALL THIS PRODUCT.  
THIS PRODUCT SHOULD BE INSTALLED  
UNDER A WELL LIT CANOPY



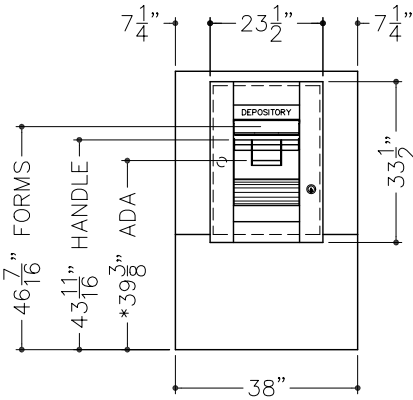
HORIZONTAL SECTION

FINISHED OPENING  
INTERIOR ELEVATION



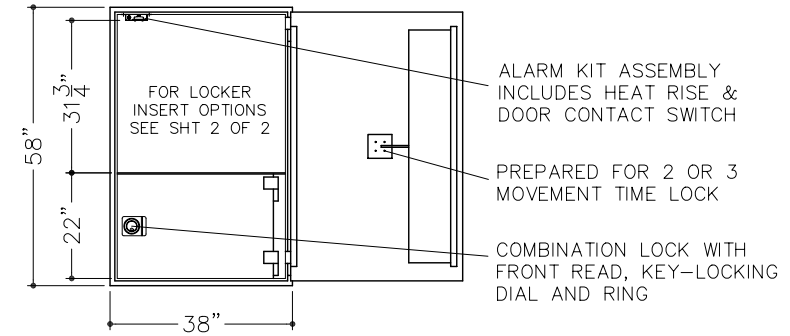
VERTICAL SECTION

\*ADA HANDLE OPEN POSITION



EXTERIOR ELEVATION

\*ADA HANDLE CLOSED POSITION



INTERIOR ELEVATION

(SHOWN WITH DOOR OPEN FOR CLARITY)

NOTES:

1. RIGHT SWING SHOWN, LEFT SWING OPPOSITE.
2. NON-GROUT OUTER HOUSING (P/N 2063) IS TO BE WELDED TO RECEIVING CHEST AND SHOULD NOT BE ENCASED IN CONCRETE.
3. INTERIOR WALL OPENING AROUND OUTER HOUSING IS TO BE FILLED USING APPROPRIATE MATERIALS, BY OTHERS.
4. SET-UP TO RECEIVE 500 SERIES LOCKERS (18" DEEP). FOR LOCKER INSERT OPTIONS, SEE SHEET 2 OF 2.
5. FINISH: BEIGE

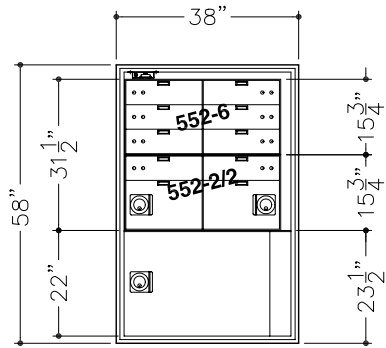
APPROXIMATE WEIGHTS:  
RECEIVING CHEST: 1,865 LBS.  
DEPOSITORY: 280 LBS.  
HOUSING: 325 LBS.



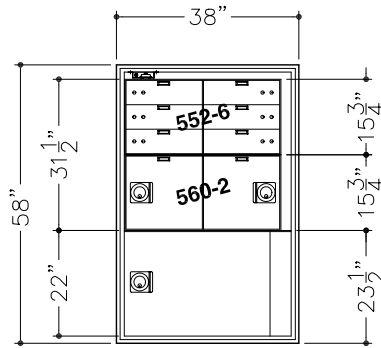
**American Vault<sup>®</sup>.us**

PRODUCT APPLICATION DRAWING  
MODEL 970-3 TL-15 RECEIVING CHEST  
WITH DEPOSITORY AND NON-GROUT  
OUTER HOUSING (MOD 85-2063)

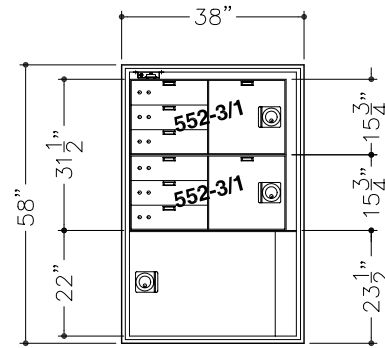
SIZE	DWG NO	DATE	SHEET
A	20045	03.04.2013	1 OF 2



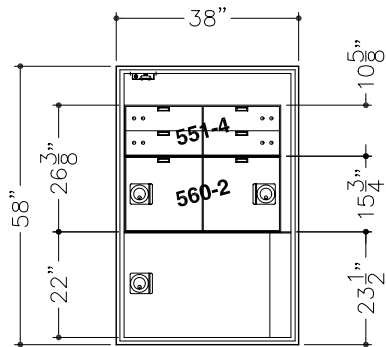
(8) 5x16 TELLER LOCKERS  
(2) 10x16 CASH LOCKERS



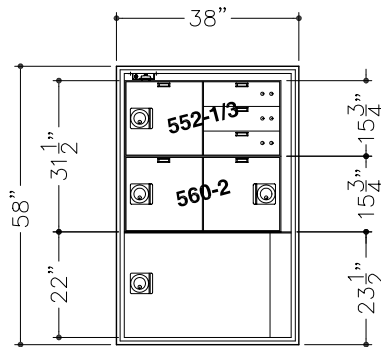
(6) 5x16 TELLER LOCKERS  
(2) 15x16 CASH LOCKERS



(6) 5x16 TELLER LOCKERS  
(2) 15x16 CASH LOCKERS



(4) 5x16 TELLER LOCKERS  
(2) 15x16 CASH LOCKERS



(3) 5x16 TELLER LOCKERS  
(3) 15x16 CASH LOCKERS

CAUTION!  
ONLY PROFESSIONALS EXPERIENCED AND  
QUALIFIED IN THE INSTALLATION OF SAFES  
SHOULD INSTALL THIS PRODUCT.



**American Vault<sup>®</sup>.us**

PRODUCT APPLICATION DRAWING  
MODEL 970-3 TL-15 RECEIVING CHEST  
WITH DEPOSITORY AND NON-GROUT  
OUTER HOUSING (MOD 85-2063)

SIZE	DWG NO	DATE	SHEET
A	20045	03.04.2013	2 OF 2